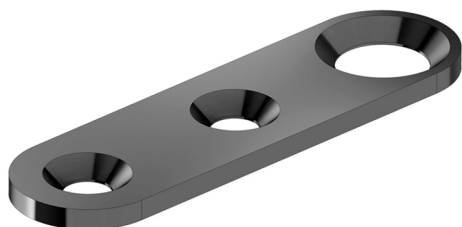


Lock Plate OLDA LP 8



Function:

A lock plate is used together with flush bolts, to protect the frame or sill/floor, when the bolt activates.

The lock plate optimizes the function of the flush bolt by ensuring secure bolting.

Features:

Lock plate OLDA LP 8 is 14 mm deep and 2 mm thick.

Made in electrozinc plated steel.

Usage:

LP 8 is developed for bolt $\varnothing 8$ mm and is best suited for wooden doors, especially for flush bolts with lesser backset, for example 34 HZA-DS and 36 HZM-DS.

Installation:

OLDA LP 8 is fitted in the frame or sill/floor and is fastened with two countersunk 3.5 x 16 mm screws.

LP 8 can also be fitted on door leaf as guide plate (see picture on page 2).

Specification:

- Hole: $\varnothing 8,5$ mm
- Depth: 14 mm
- Width: 50 mm
- Thickness: 2 mm
- Material: steel
- Coating: electrozinc plating

Related products:

- Strike plates
 - SP 10, 10-T & 20
- Guide Tubes
 - GT 8, 10, 12 & 14
- Lock plates
 - LP 8, 10, 20 & 30
- Lock tubes
 - LT 8, 10, 12 & 14

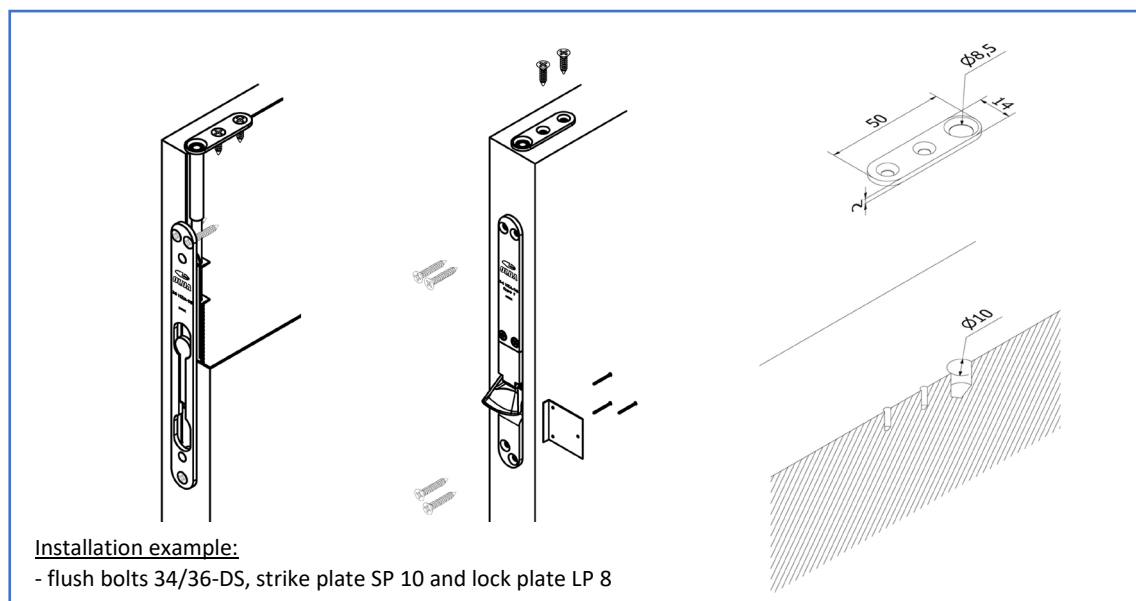
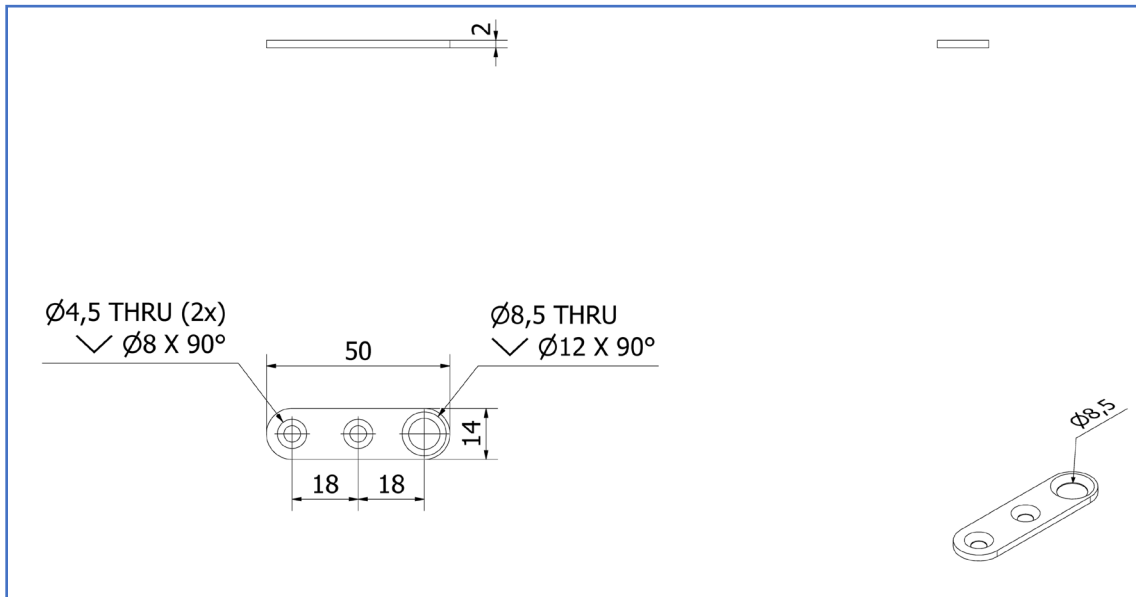
Service:

Function & system tests are recommended once or twice a year. Test and adjust moving parts as needed.

In harsh environments or high frequent use should tests be made more often.

Warranty:

All mechanical "OLDA" branded products have a 36-month factory warranty.

Lock plates OLDA LP 8

Product document:

- [Dimensions](#)

Product views – 2D:

- [PDF](#)
- [DXF](#)
- [DWG](#)

Product models – 3D:

- [STEP](#)
- [DWG](#)
- [PDF – 3D](#)

OLDA product links:

- [Lock plates LP](#)
- [Flush bolt accessories](#)
- [OLDA accessories guide](#)
- [OLDA flush bolts guide](#)
- [OLDA fittings school](#)