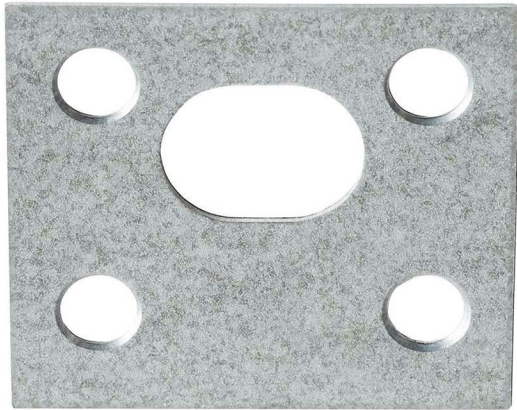


Lock plate OLDA LP 10



Function:

A lock plate is used together with flush bolts, to protect the frame or sill/floor, when the bolt activates.

The lock plate optimizes the function of the flush bolt by ensuring secure bolting.

Features:

Lock plate OLDA LP 10 is 35,6 mm deep and 1 mm thick.

Made in electrozinc plated steel.

Usage:

Lock plate LP 10 is developed for bolt $\varnothing 10$ and $\varnothing 12$ mm and is best suited for wooden doors and in door sets with narrow air gap between the door leaves.

Installation:

OLDA LP 10 is fitted in the frame or sill/floor and is fastened with four countersunk 3.5 x 16 mm screws.

Specification:

- Product:
 - depth: 35.6 mm
 - width: 40 mm
 - thickness: 1 mm
- Material: steel
- Coating: electrozinc plating

Related products:

- Strike plates
 - SP 10, 10-T & 20
- Lock plates
 - LP 10, 20 & 30
- Lock tubes
 - LT 8, 10, 12 & 14
- Guide tubes
 - GT 8, 10, 12 & 14

Service:

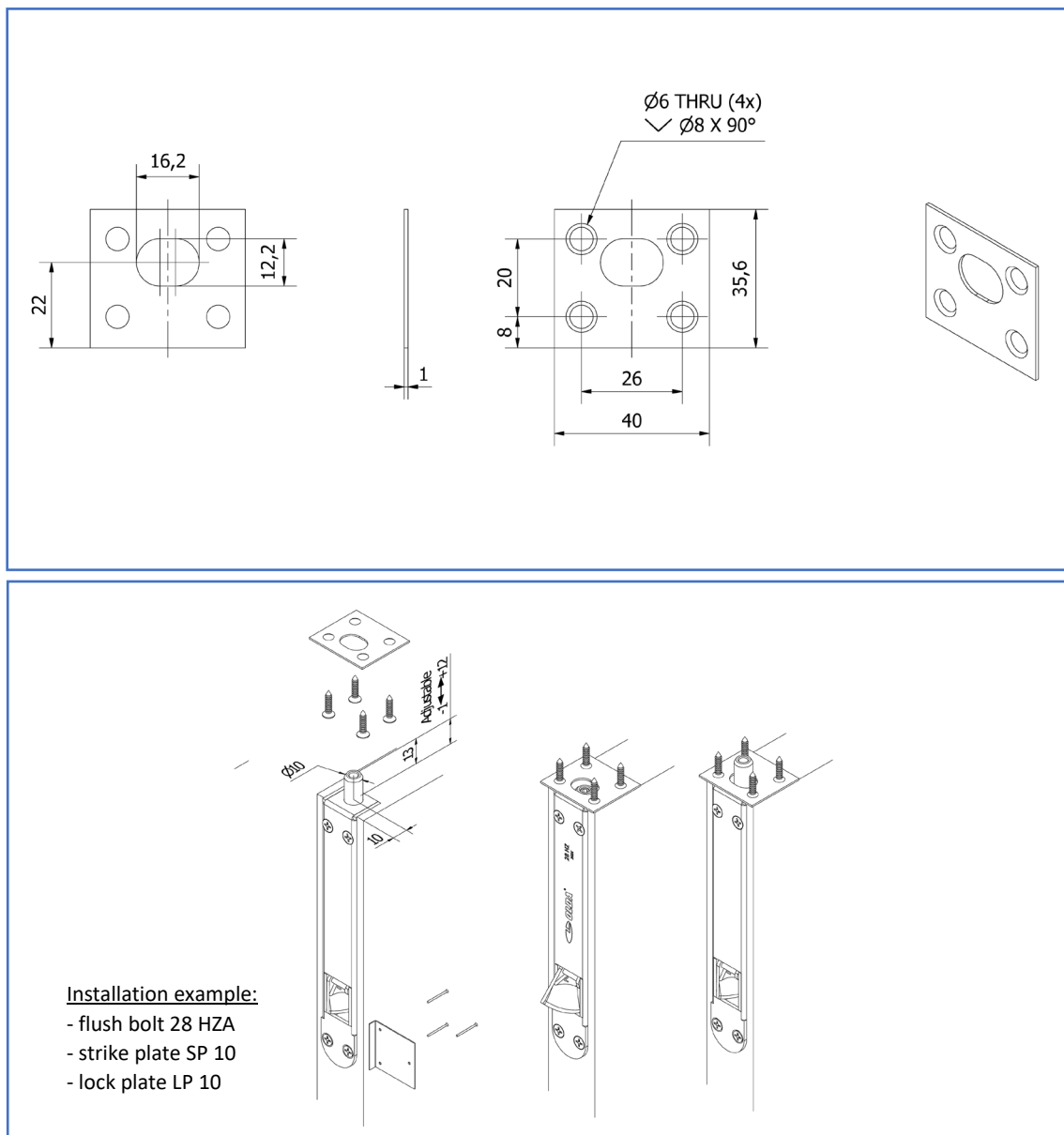
Function & system tests are recommended once or twice a year. Test and adjust moving parts as needed.

In harsh environments or high frequent use should tests be made more often.

Warranty:

All mechanical "OLDA" branded products have a 36-month factory warranty.

Lock plate OLDA LP 10



Product documents:

- [Dimensions](#)

Product views – 2D:

- [PDF](#)
- [DXF](#)
- [DWG](#)

Product models – 3D:

- [STEP](#)
- [DWG](#)
- [PDF – 3D](#)

OLDA product links:

- [Lock plates OLDA LP](#)
- [Flush bolt accessories](#)
- [OLDA flush bolts](#)
- [OLDA fittings school](#)