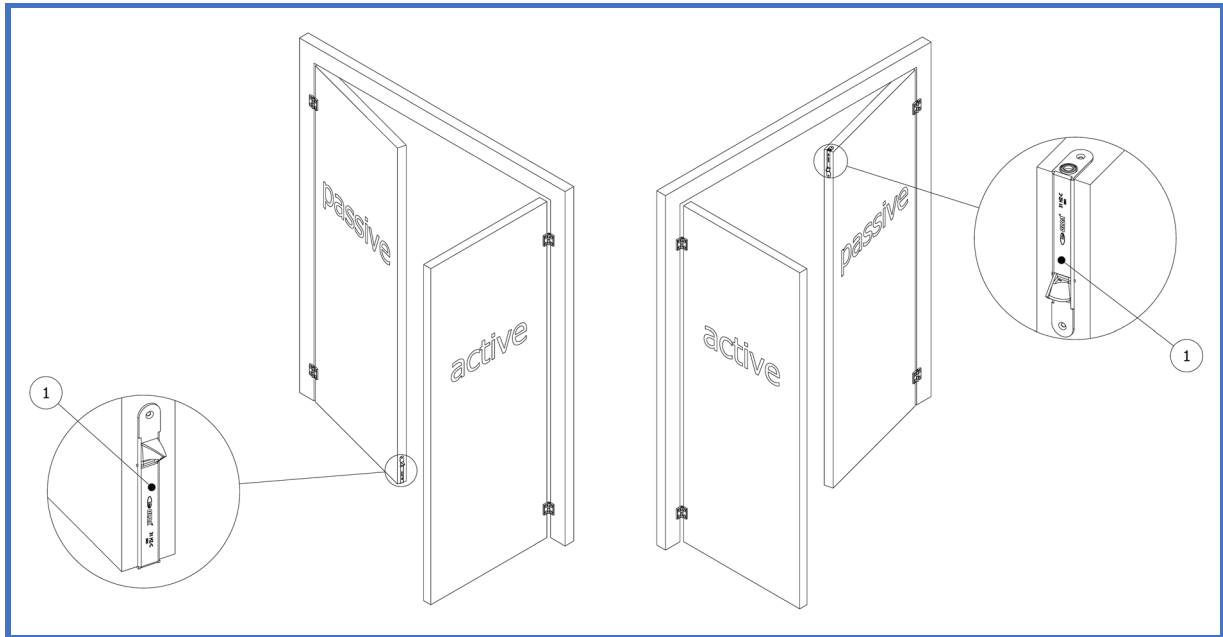
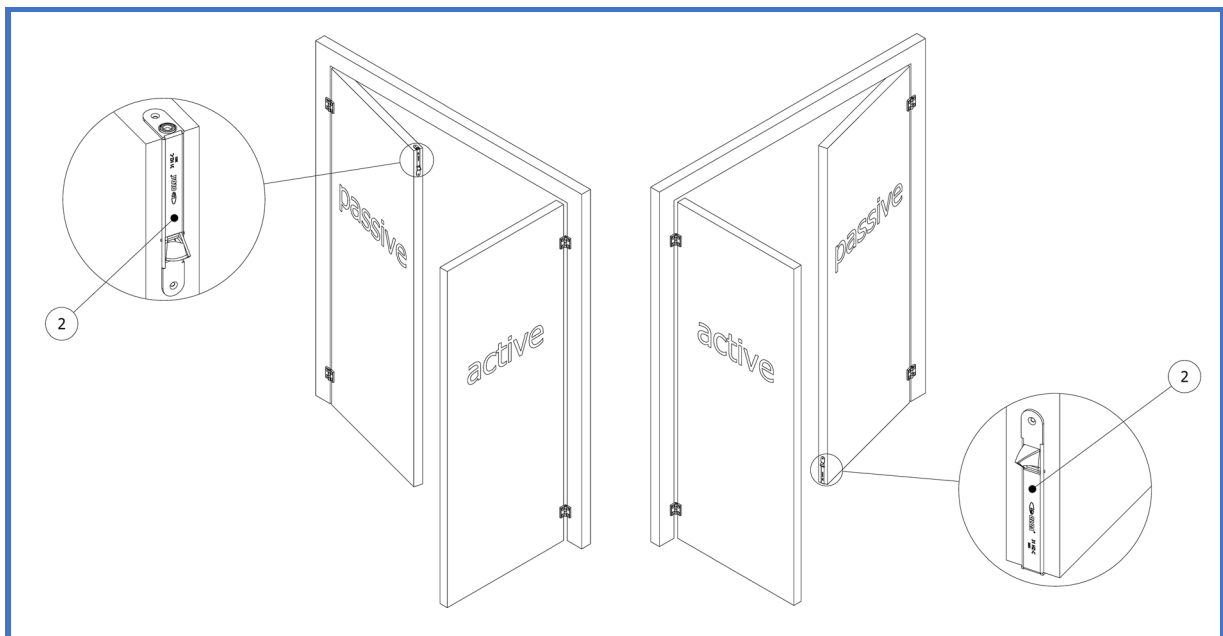


**Automatic flush bolts – type 1**



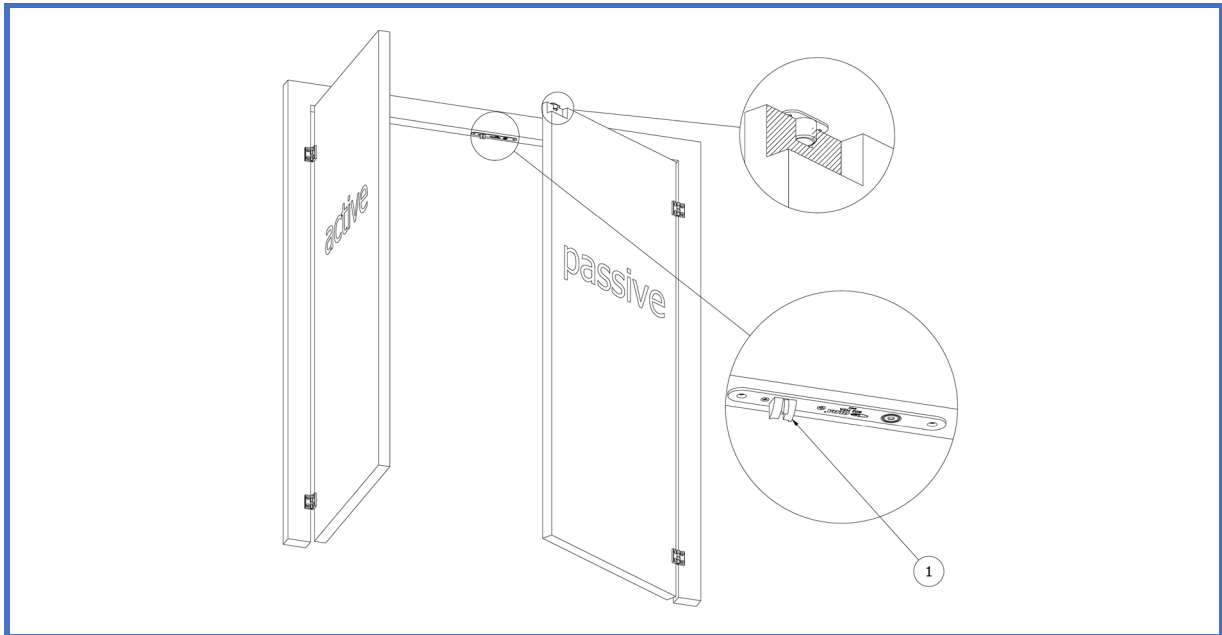
OLDA 26 HZ, 27 HZ, 28 HZ, 31 HZ, 33 HZ, 33 HZA, 34 HZ, 37 HZ, 39 HZ & 43 HZ.

**Automatic flush bolts – type 2**



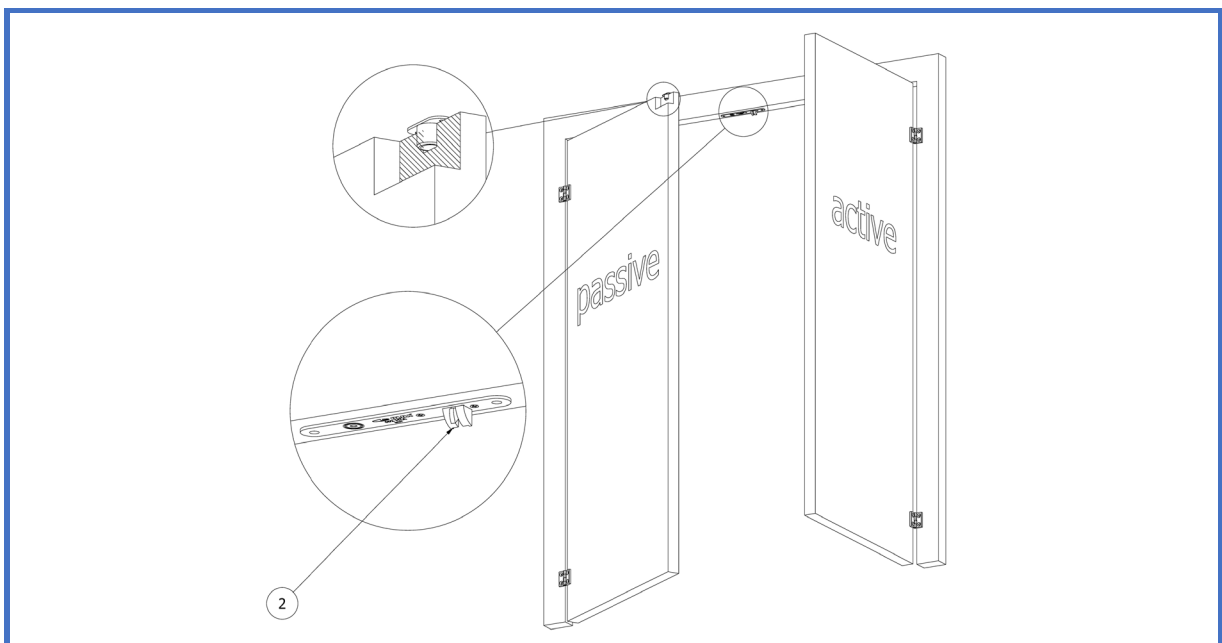
OLDA 26 HZ, 27 HZ, 28 HZ, 31 HZ, 33 HZ, 33 HZA, 34 HZ, 37 HZ, 39 HZ & 43 HZ.

**Automatic frame bolts – type 1**



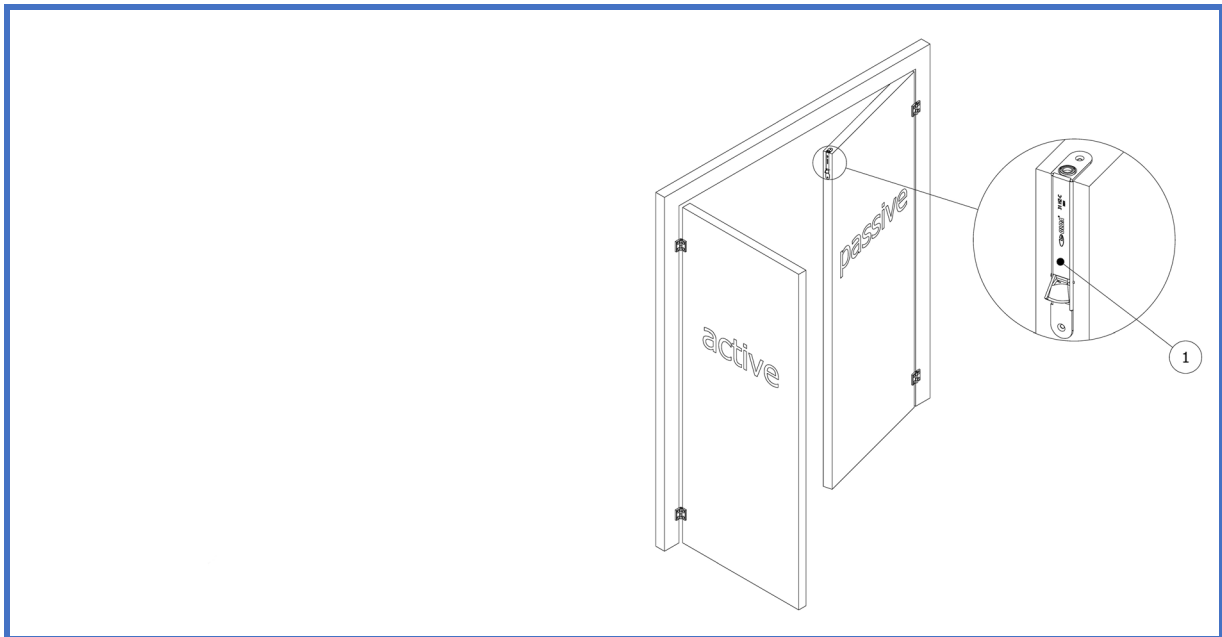
OLDA 600 HZA & 602 HZA.

**Automatic frame bolts – type 2**



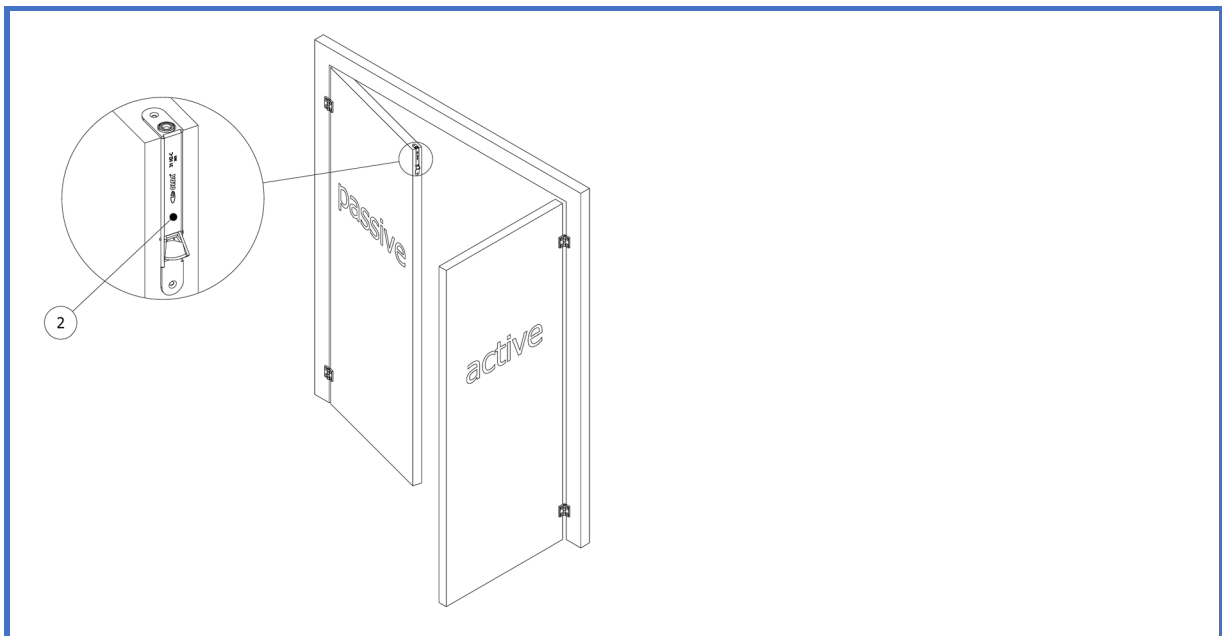
OLDA 600 HZA & 602 HZA.

**Semi-automatic flush bolt – type 1**



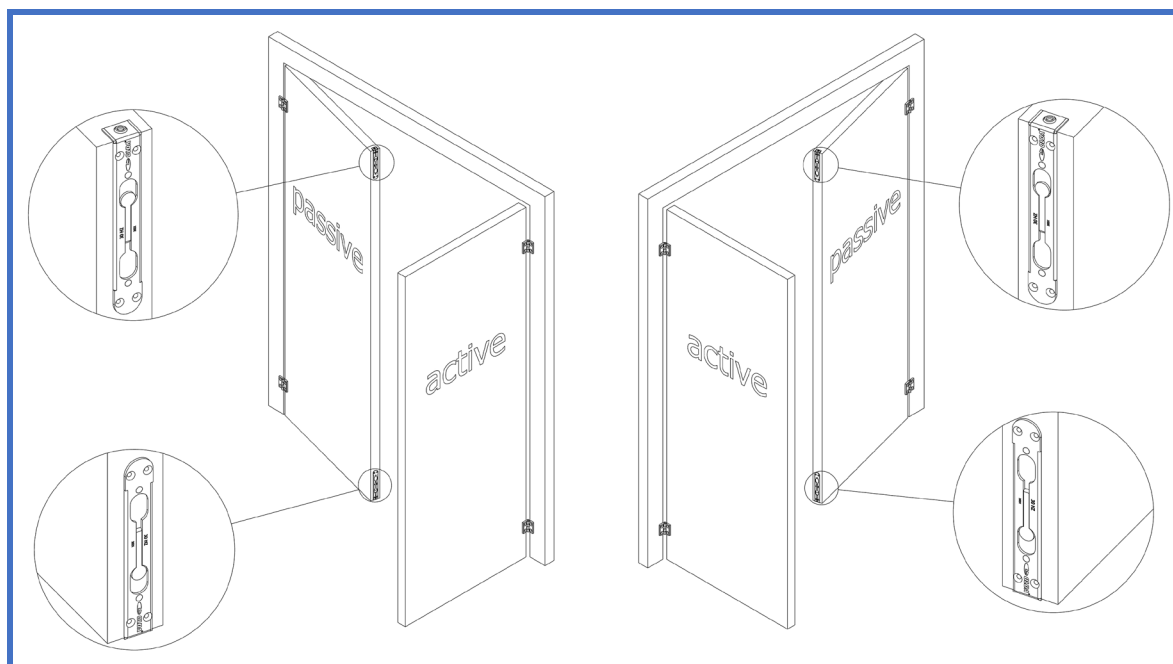
OLDA 35 HZ

**Semi-automatic flush bolt – type 2**



OLDA 35 HZ

Manual flush bolts



OLDA 30 HZ & 33 HZM.