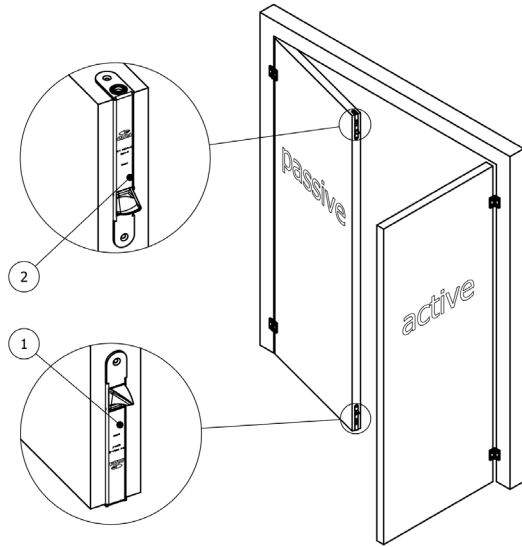




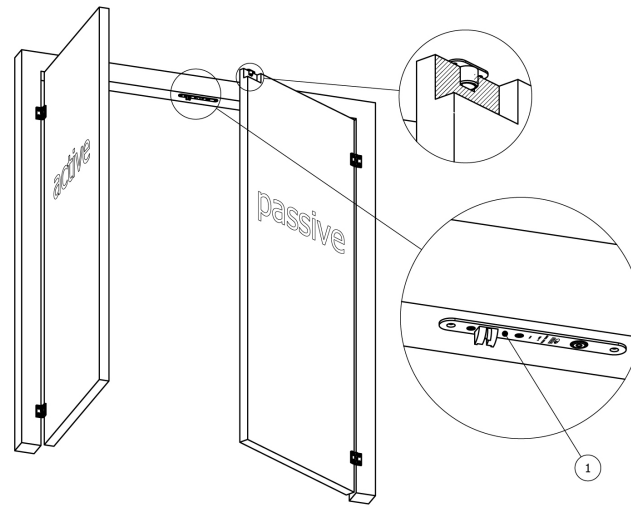
Flush bolt GUIDE
wooden doors
(2024-2)

		OLDA 28 HZA	OLDA 30 HZM	OLDA 28 HZA extended bolt +8 / +15 / +20 / +30	OLDA 30 HZM extended bolt +8 / +15 / +20 / +30	OLDA 31 HZA-C	OLDA 34 HZA-DS	OLDA 36 HZM-DS	OLDA 34 HZA	OLDA 35 HZS	OLDA 37 HZA	OLDA 39 HZA	OLDA 33 HZA-R32F bolt Ø8 / Ø10 / Ø12	OLDA 33 HZM-R32 bolt Ø8 / Ø10 / Ø12	OLDA 43 HZA-20T bolt 30 / 60 mm	OLDA 33 HZM-20 bolt 30 / 60 mm
function	automatic / manual / semi-automatic	A	M	A	M	A	A	M	A	H-A	A	A	A	M	A	M
	mounted in corners of passive door-leaf edge	*	*	*	*	*			*	*	*	*				
	mounted in door frame above door-leaves															
features	product height	168	168	168 +8 / +15 +20 / +30	168 +8 / +15 +20 / +30	160	189 + 50	189 + 50	190	190	190	188	200 +82	200 +82	200 +70	200 +70
	fits in profile / recess depth	20	20	20	20	20	23	19	23	23	23	23	41	40	36	28
	bolt not spring loaded (T) / spring loaded (F)	T	T	T	T	F	T	T	F	(F)	T	F	F	T	T	T
	forend round (●) / square (◻)	●	●	●	●	●	●	●	●	●	●	◻	●	●	●	◻
	forend in stainless steel												*	*		
	suitable with automatic drop seals			*	*		*	*					*	*	*	*
bolt	backset without forend	10	10	10	10	8	9	9	8	0-16	0-16	8	32	32	20	20
	backset with forend	12	12	12	12	10	12	12	11	3-19	3-19	11	34	34	22	23
	dimension	Ø 10	Ø 10	Ø 10	Ø 10	Ø 12	Ø 8	Ø 8	Ø 12	15x17	15x17	Ø 10	Ø8 / Ø10 / Ø12	Ø8 / Ø10 / Ø12	Ø 12	Ø 12
	length						50	50					60	60	30 / 60	30 / 60
	adjustability	-1 +12	-1 +6	0 +13	0 +7	0	-3 +11	-3 +11	0	0	0	0	-7 +10	-7 +10	-4 / -4 +10 / +10	-7 / -4 +7 / +15
	projection	13	20	20 / 27 32 / 42	27 / 34 39 / 49	15	15	20	15	0	14	15	15	18	17	20
	protrusion	+1	+1	+8 / +15 +20 / +30	+8 / +15 +20 / +30	+1			+1	+14	+1	+1				
forend	width	25	25	25	25	20	18	18	18	18	18	16	22	22	24	22
	height	168	168	168	168	160	189	189	189	190	190	188	200	200	200	200
	thickness	2	2	2	2	2	3	3	3	3	3	3	2	2	2	3
	depth (L-shaped forends)					40			50	50	50	50				

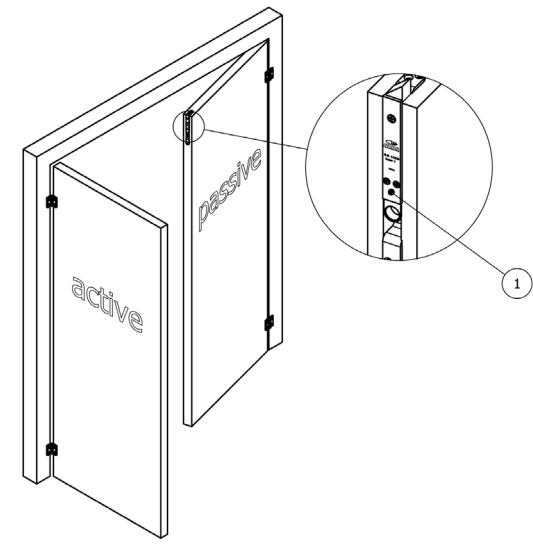
OLDA Flush bolt guide – Automatic flush bolts (HZA), Automatiska frame bolts (HZA), Semi-automatic flush bolts (HZA)



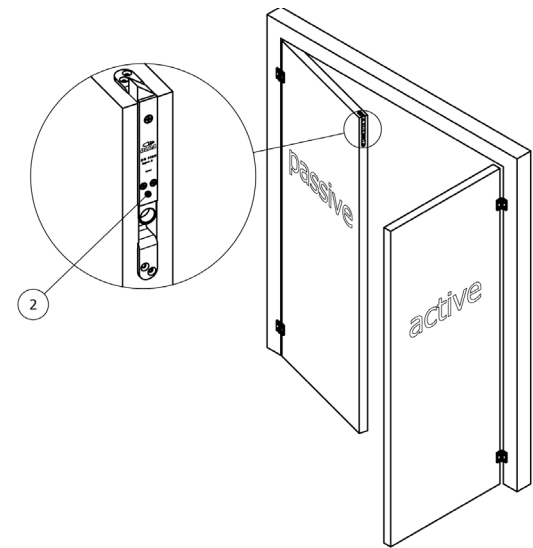
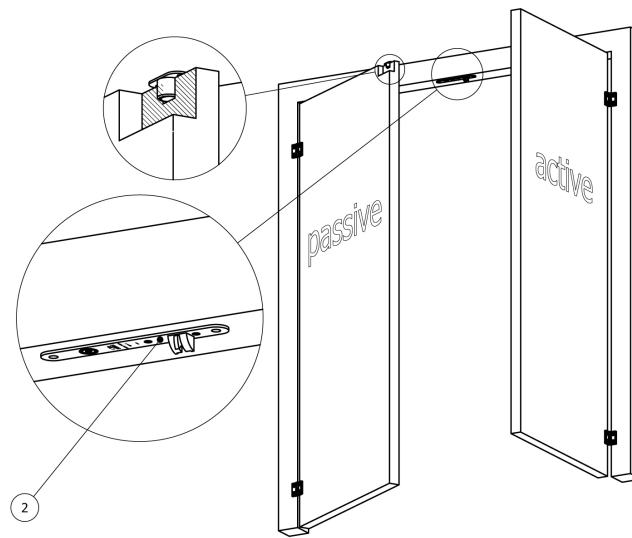
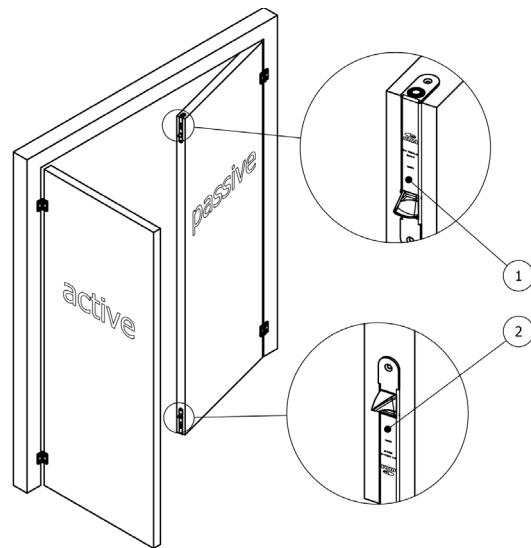
Automatic flush bolt – type 1 & 2



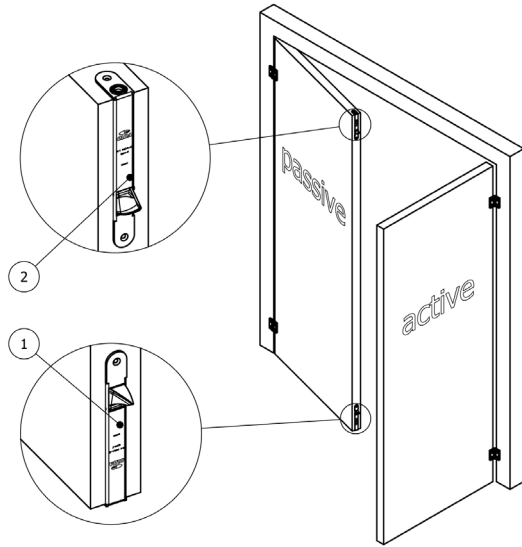
Automatic frame bolt – type 1 & 2



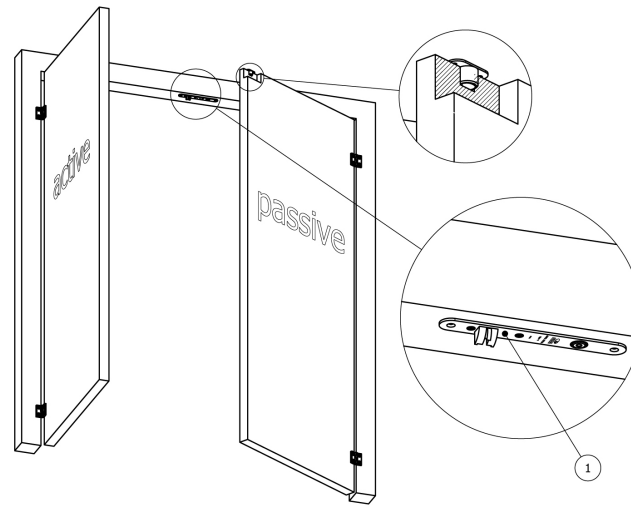
Semi-automatic flush bolt – type 1 & 2



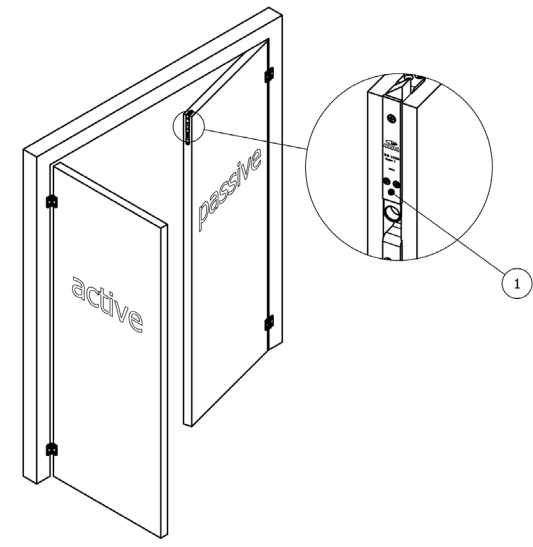
OLDA Flush bolt guide – Automatic flush bolts (HZA), Automatiska frame bolts (HZA), Semi-automatic flush bolts (HZA)



Automatic flush bolt – type 1 & 2



Automatic frame bolt – type 1 & 2



Semi-automatic flush bolt – type 1 & 2

