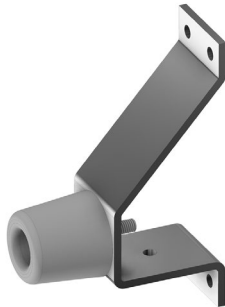


Door buffer OLDA 94 DS



Horizontal installation



Vertical installation

Function:

A door buffer with flexible installation, i.e. either on floor or wall. Can be used both for hinged and sliding doors.

Features:

The fixing plate has dimensions 110 x 35 mm.

The total length is 125 mm including the rubber stop and the height (from the floor) is 46 mm, when installed horizontally.

Installed vertically, the depth is 77 mm including the rubber stop and the height is 95 mm.

Manufactured in powder coated (white and grey) or stainless steel.

The steel version is available with powder coating white or grey. Other colours and patterns are available by request.

Usage:

Fits both left and right hinged doors.

Mainly intended for inner doors.

Installation:

OLDA 94 DS is fitted either on the floor or a wall and is fixed with four round headed 4.5 x 30 mm screws.

Specification:

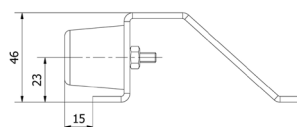
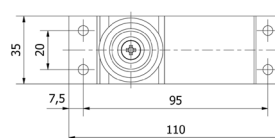
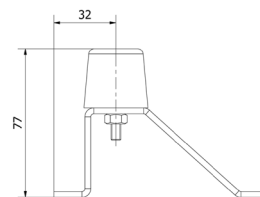
- Fixing plate:
 - length: 110 mm
 - width: 35 mm
- Product dimensions – horizontal:
 - length: 125 mm including rubber stop
 - height: 46 mm from floor
- Product dimension – vertical:
 - depth: 77 mm including rubber stop
- Material:
 - powder coated steel:
 - white – RAL 9010
 - grey – RAL 9006
 - others – on request
 - stainless steel

Service:

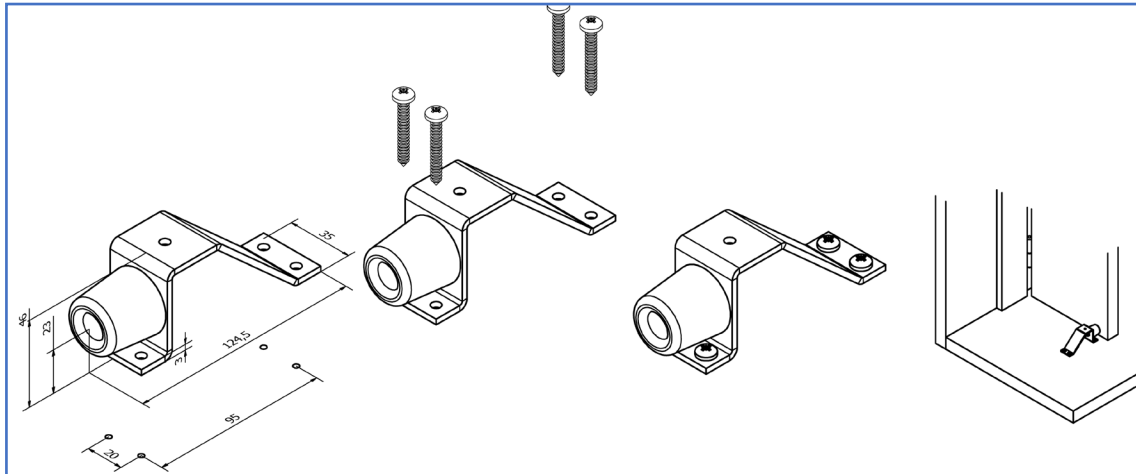
Function tests are recommended once or twice a year. Test and clean as needed.

Warranty:

All mechanical “OLDA” branded products have a 36-month factory warranty.



Door buffer OLDA 94 DS – horizontal installation



Product documents:

- [Dimensions](#)
- [Installation](#)

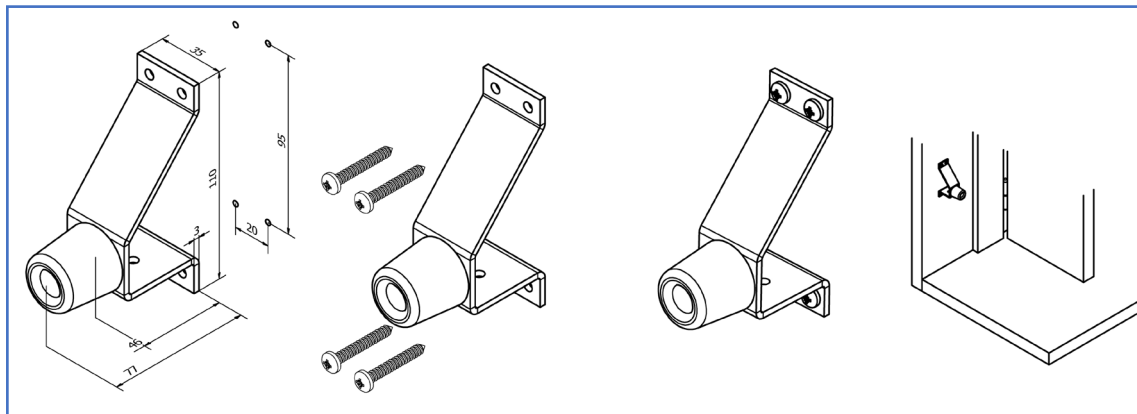
Product models – 2D:

- [PDF](#)
- [DXF](#)
- [DWG](#)

Product models – 3D:

- [STEP](#)
- [DWG](#)
- [PDF – 3D](#)

Door buffer OLDA 94 DS – vertical installation



Product documents:

- [Dimensions](#)
- [Installation](#)

Product models – 2D:

- [PDF](#)
- [DXF](#)
- [DWG](#)

Product models – 3D:

- [STEP](#)
- [DWG](#)
- [PDF – 3D](#)

OLDA product links:

- [Door buffer OLDA 94 DS](#)
- [Flush bolt accessories](#)
- [OLDA flush bolts](#)
- [OLDA fittings school](#)