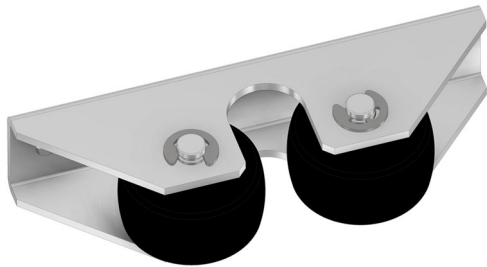


Door fastener OLDA 77 DA



OLDA 77 DA



OLDA 77 DA & OLDA 73 DS

Function:

Door fastener OLDA 77 DA will hold open the door leaf in combination with opening limiter 73 DS. The position of 77 DA is determined by the placement of opening limiter 73 DS (see picture above).

Features:

OLDA 77 DA is equipped with a rubber wheel with a steel core. This gives the product an elastic performance and long durability.

Fixing plate dimensions are 120 x 22 mm and 38 mm total depth including wheels.

Manufactured in powder coated (white and grey) or stainless steel. Other colours available by request.

Usage:

Fits both left and right hinged doors.

Mainly intended for inner doors with moderate forces applied.

Installation:

OLDA 77 DA is fitted on the exterior side of the door leaf and is fixed with two round headed 4.8 x 19 mm screws.

Specification:

- Fixing plate:
 - width: 120 mm
 - height: 22 mm
- Product depth:
 - 38 mm including wheels
- Material:
 - powder coated steel:
 - white – RAL 9010
 - grey – RAL 9006
 - others – by request
 - stainless steel

Complementary products:

OLDA 73 DS is a flexible door limiter which stops the door leaf at the desired opening angle, usually between 90 to 130 degrees.

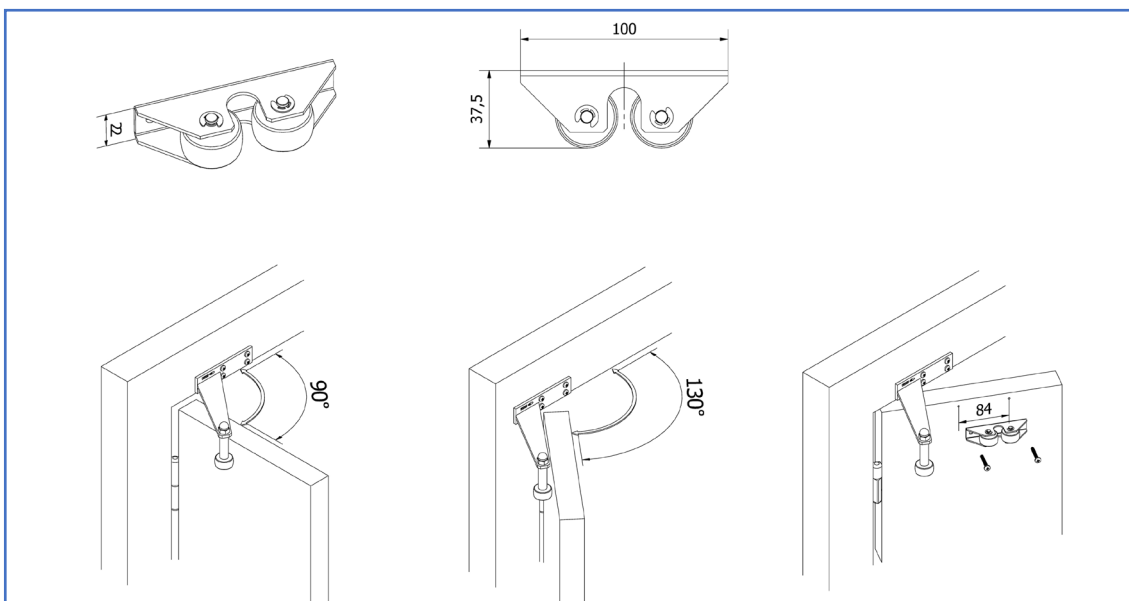
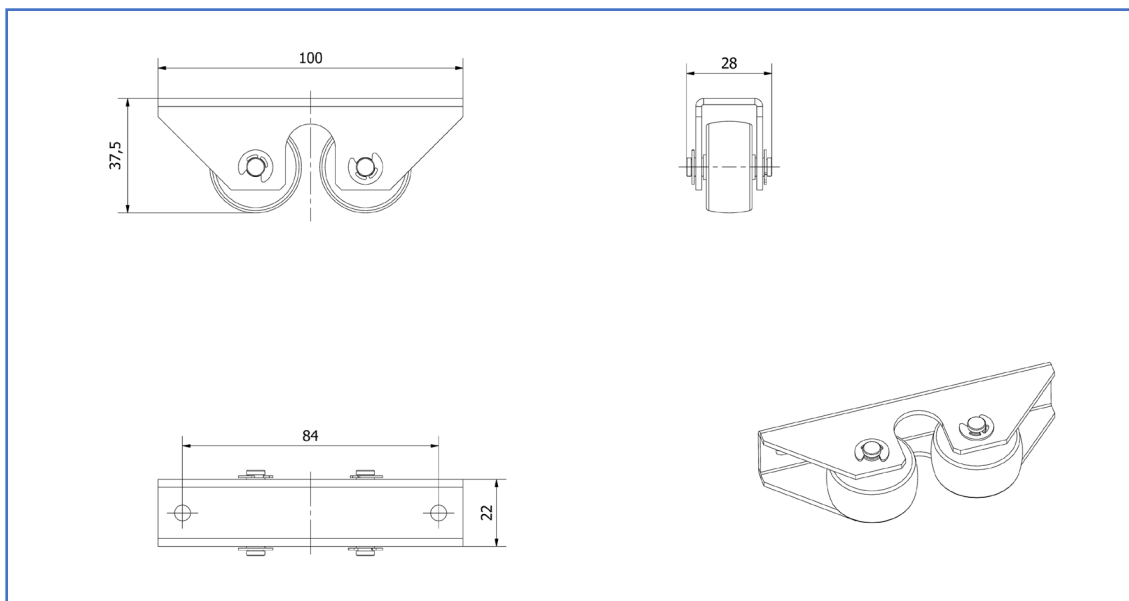
Service:

Function tests are recommended once or twice a year. Test and clean as needed.

Warranty:

All mechanical “OLDA” branded products have a 36-month factory warranty.

Door fastener OLDA 77 DA



Product documents:

- [Dimensions](#)
- [Installation](#)

Product models – 2D:

- [PDF](#)
- [DXF](#)
- [DWG](#)

Product models – 3D:

- [STEP](#)
- [DWG](#)
- [PDF – 3D](#)

OLDA product links:

- [Door fastener OLDA 77 DA](#)
- [Flush bolt accessories](#)
- [OLDA flush bolts](#)
- [OLDA fittings school](#)