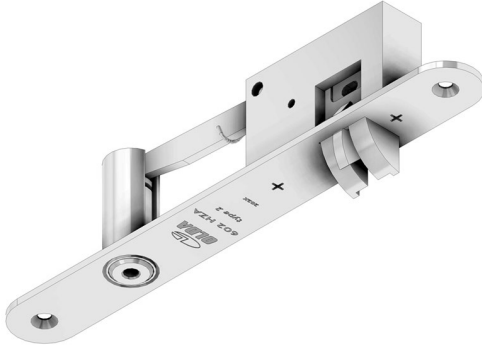


## Automatic frame bolt OLDA 602 HZA type 2



### Function:

Automatic, single action frame bolt for non-spring-loaded bolting of passive door leaf in double doors.

### Features:

OLDA 602 HZA is bolted and unbolted automatically, and has bolt diameter 14 mm, forend width 24 mm and 100 mm c/c distance between bolt and latch.

It works like a regular flush bolt with a minimal door leaf, simplified fitting and enhanced fire-proof security as main advantages.

A version with 60 mm c/c distance, OLDA 600 HZA, is also available.

### Usage:

To be recessed into steel- and aluminium frames with a left passive door leaf, in particular if fire requirements are strict.

### Installation:

OLDA 602 HZA is fitted recessed in the door frames above the door leaves, either flush with cut-out or without cut-out for the forend.

Fixed with two countersunk 4 x 20 mm screws.

### Accessories:

Lock tube LT 14 (17x15) is fastened with two countersunk 3.5 x 16 mm screws. Strike plate SP 20 is fastened with two countersunk 4.2 x 16 mm screws.

### Specification:

- Automatic, single action and non-spring-loaded bolt function
- Bolt:
  - diameter: 14 mm
  - projection: 25 mm
  - adjustability: - 2 / + 2 mm
- Round stainless steel forend
- Product:
  - width: 24 mm
  - height: 200 mm
  - depth: 40.5 mm
  - forend thickness: 2.5 mm
  - c/c bolt and latch: 100 mm
- Material:
  - steel
  - stainless steel (bolt & forend)
- Coating: electrozinc plating

### Related OLDA frame bolts:

- Automatic frame bolts
  - 600 HZA
  - 602 HZA

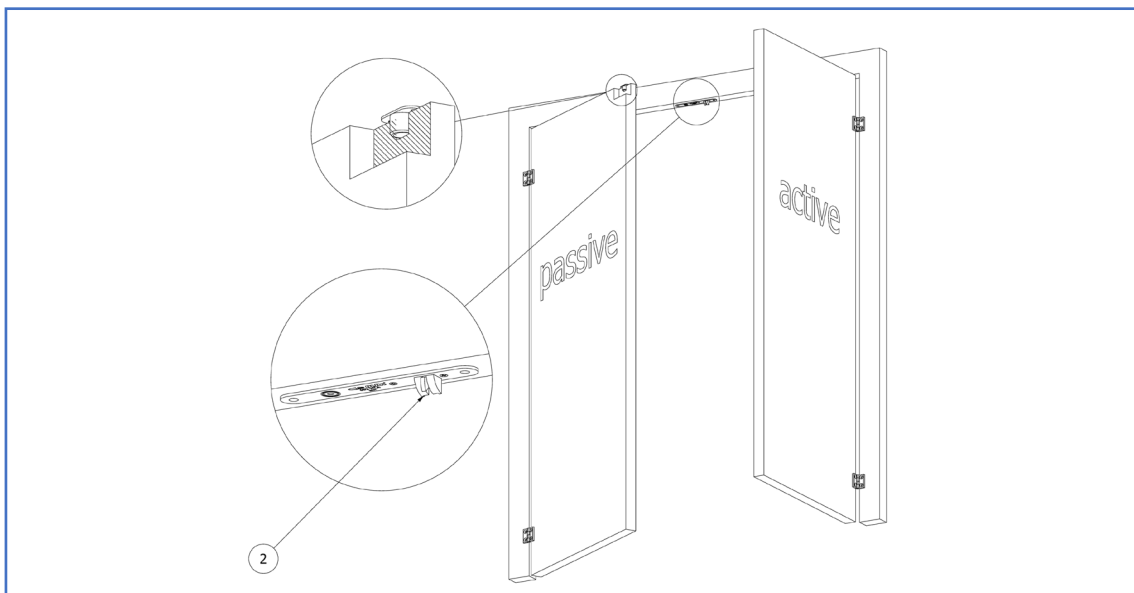
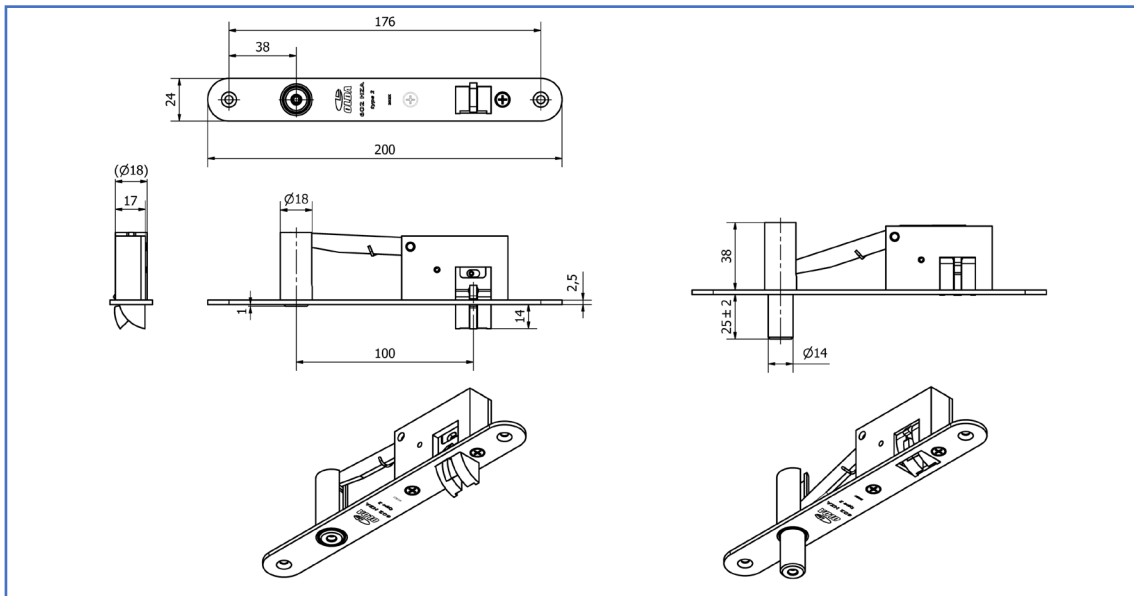
### Service:

Function & system tests are recommended once or twice a year. Test, lubricate and adjust moving parts as needed.

In harsh environments or high frequent use should tests be made more often.

### Warranty:

All mechanical "OLDA" branded products have a 36-month factory warranty.

**Automatic frame bolt OLDA 602 HZA type 2**

**Product documents:**

- [Dimensions](#)
- [Installation with forend cut-out](#)
- [Installation without forend cut-out](#)

**Product views – 2D:**

- [PDF](#)
- [DXF](#)
- [DWG](#)

**Product models – 3D:**

- [STEP](#)
- [DWG](#)
- [PDF – 3D](#)

**OLDA product links:**

- [Automatic frame bolt 602 HZA](#)
- [Flush bolt accessories](#)
- [OLDA flush bolt guide](#)
- [OLDA fittings school](#)