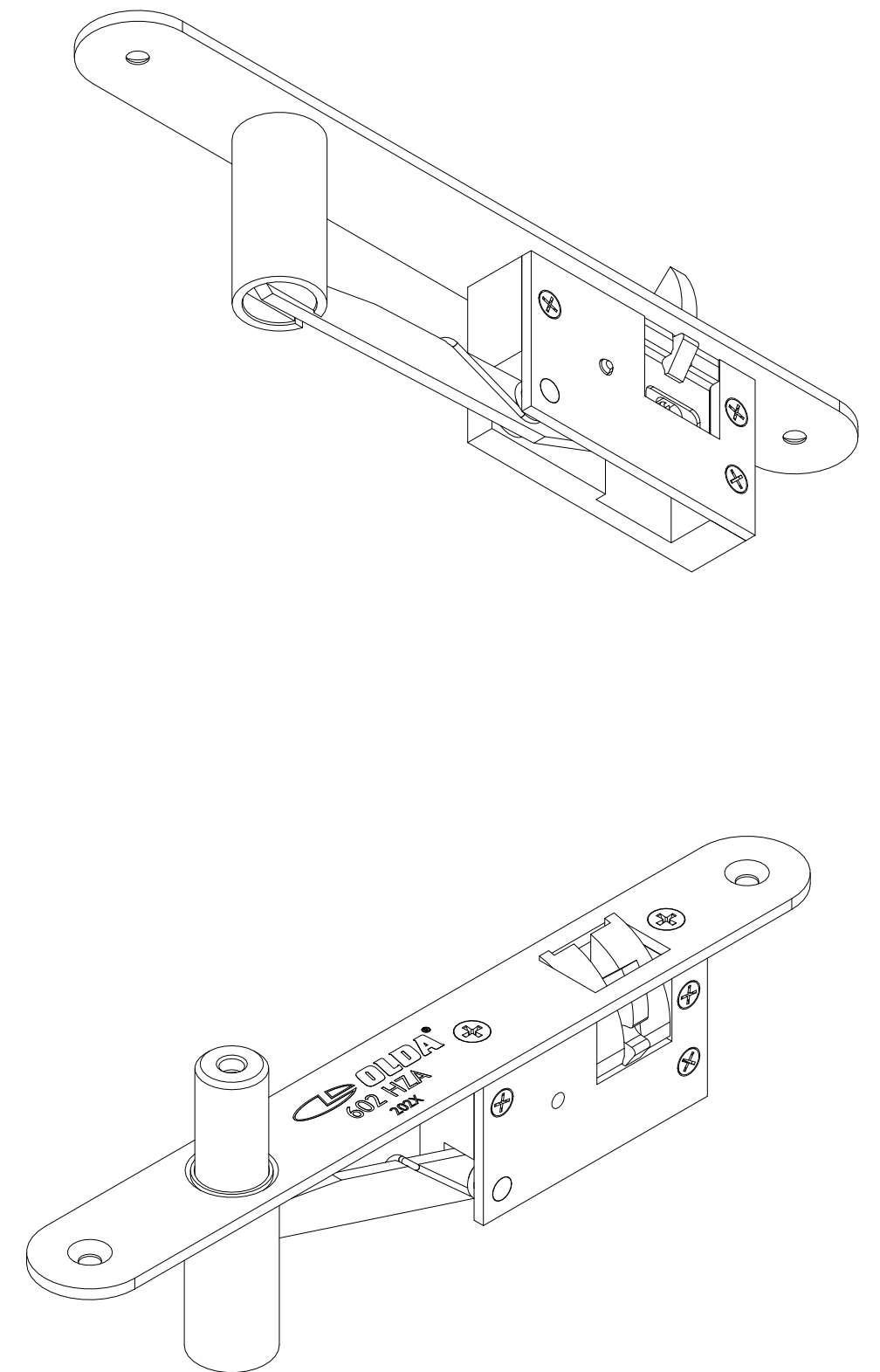
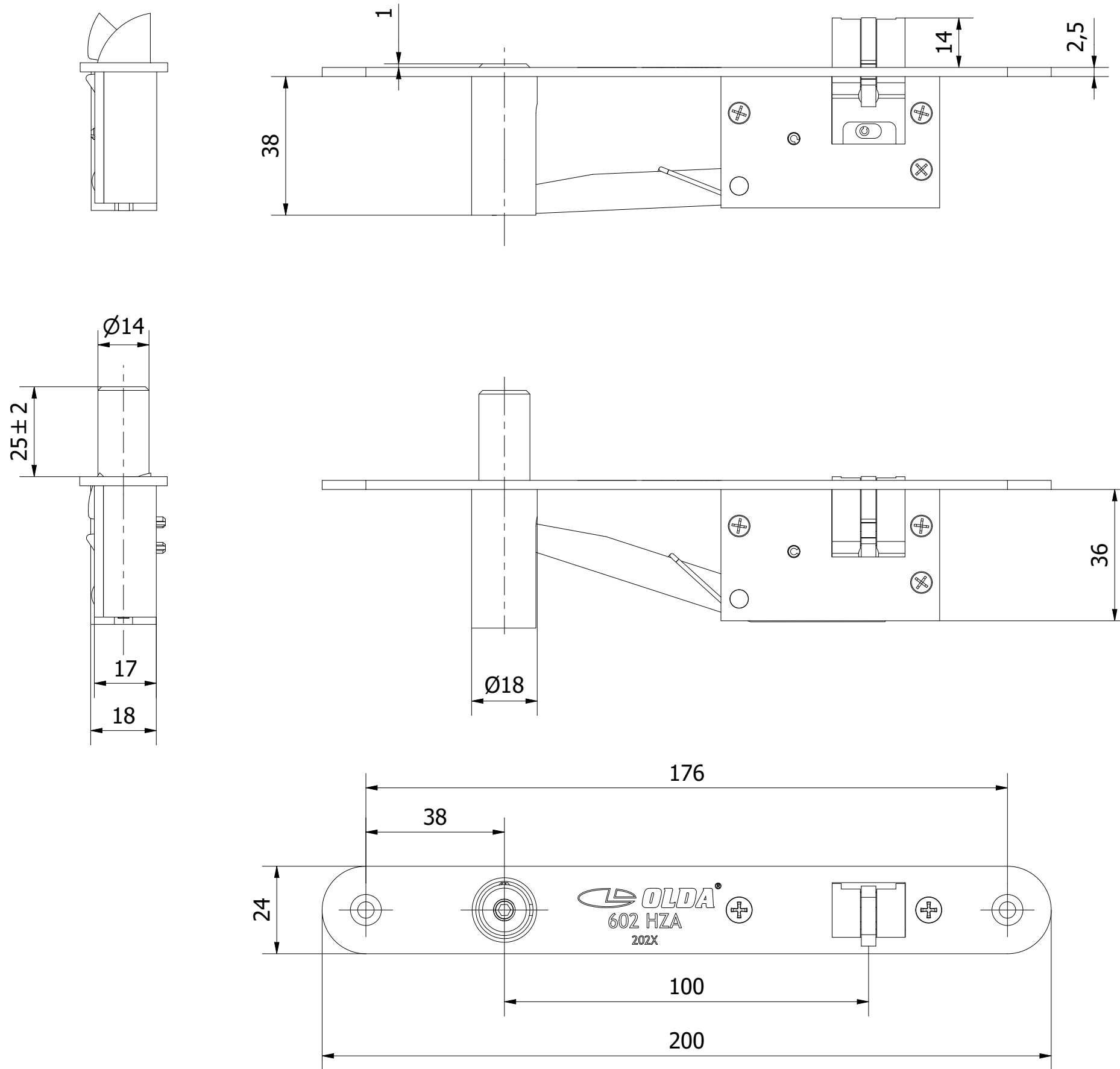


OLDA 602 HZA - type 1 - automatic frame bolt

dimension drawing



10-602-1000	A	2021-07-09
-------------	---	------------