

Automatic flush bolt OLDA 43 HZA-R32T type 2



Product-ID: 10-143-2011-1201

GTIN: 7340171407318

Function:

Automatisk, single action flush bolt for non-spring-loaded bolting of passive door leaf in double doors.

Features:

OLDA 43 HZA-R32T is bolted & unbolted automatically, has bolt \varnothing 12 x 60 mm, backset 32 mm and forend width 22 mm.

Usage:

To be recessed into doors of steel or aluminium profiles, upper left and lower right, at the edge of passive door leaves. Suitable for integration with automatic drop seals and/or large gaps between door leaf & frame and sill/floor.

Installation:

Fitted recessed in the edge of the door, either flush, with cut-out or without cut-out for the forend. Fixed with two countersunk 3,5 x 16 mm screws.

Accessories:

Guide tube GT 12 & lock tube LT 12 (17x13) are fastened with two countersunk 3,5 x 16 mm screws each.

Strike plate SP 20 is fastened with two countersunk 4,2 x 16 mm screws.

Specification:

- Automatic, single action and non-spring-loaded bolt function
- Bolt:
 - diameter: 12 mm
 - length: 60 mm
 - projection: 22 mm
 - adjustability: -4 / +15 mm
- Round forend in stainless steel
- Product:
 - width: 24 mm
 - height: 200 + 70 mm
 - depth: 42 mm
 - forend thickness: 2 mm
- Backset including forend: 34 mm
- Material: steel
- Coating: electrozinc plating

Related products:

Similar dimensions as automatic flush bolt 43 HZM-32T with rectangular forend and bolt length 30 & 60 mm.

Product guides:

[OLDA flush bolts](#)

[OLDA accessories](#)

Service:

Function-/system tests are recommended one or twice a year. Lubricate and adjust moving parts as needed, and test more often in harsh environments.

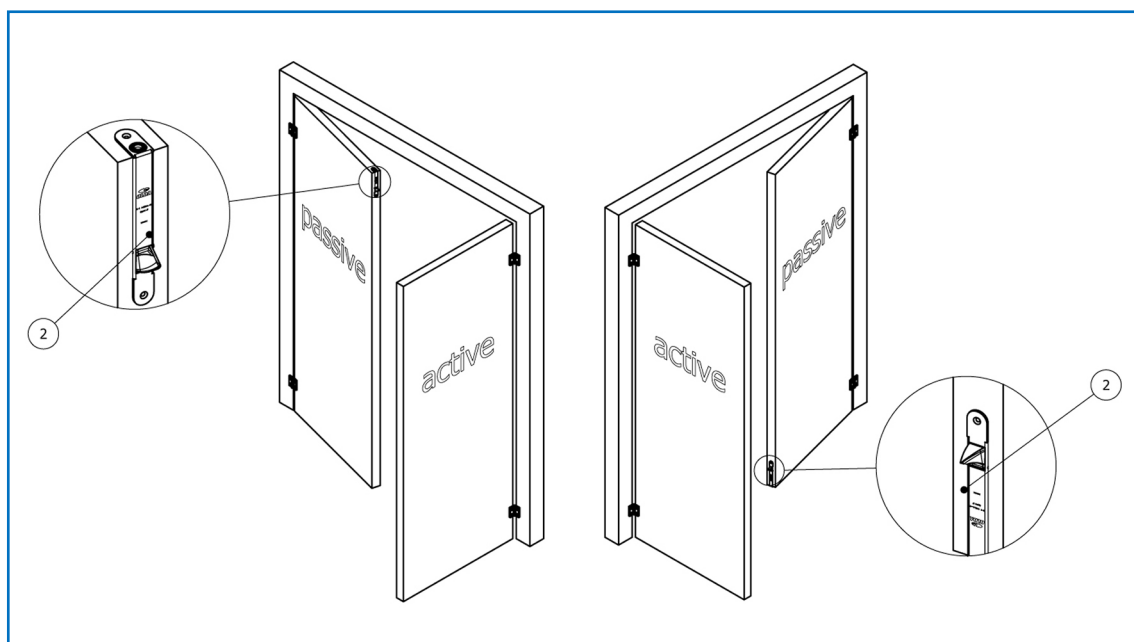
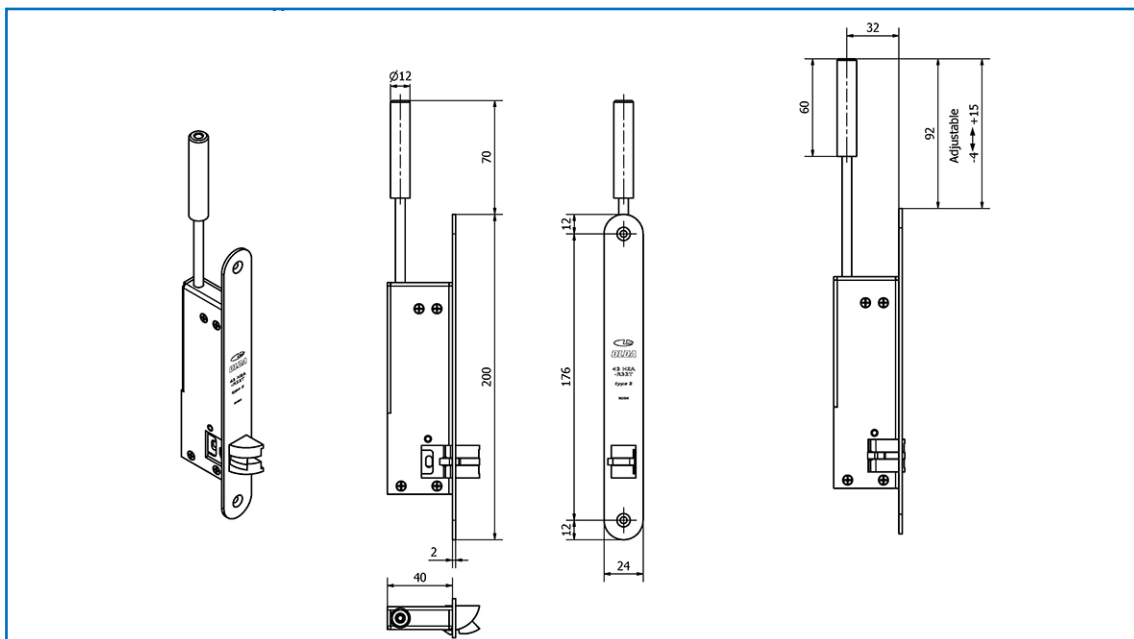
Warranty:

All mechanical "OLDA" branded products have a 36-month factory warranty.

Environment and quality:

RZ Olda Innovation AB works continuously with the improvement of our products' [environmental](#)- & quality performance, and are [ISO 9001 & 14001](#) certified.

Automatic flush bolt 43 HZA-32T type 2



Product documents:

- [Dimensions](#)
- [Installation – with forend cut-out](#)
- [Installation – without forend cut-out](#)

Product models – 3D:

- [STEP](#)
- [DWG](#)
- [PDF – 3D](#)

Product views – 2D:

- [PDF](#)
- [DXF](#)
- [DWG](#)

OLDA product links:

- [Automatic flush bolts 43 HZA-R32T](#)
- [OLDA fittings school](#)
- [OLDA opening limiters & coordinators](#)