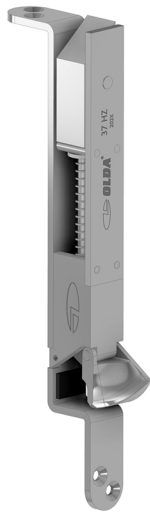


Automatic flush bolt OLDA 37 HZA type 2



Function:

Automatic, single action flush bolt for non-spring-loaded bolting of passive door leaf in double doors.

Features:

OLDA 37 HZA is bolted and unbolted automatically with a bolt 15x17 mm, backset 3-19 mm and forend width 18 mm. The sloping strike edge reduce friction between bolt and frame/sill or lock plate.

Same dimensions as automatic flush bolt OLDA 34 HZA and semi-automatic flush bolt OLDA 35 HZS.

A “hold-close” function, which is desired in fire, gas, sound and climate-proofing of doors, is an unique feature of 37 HZA.

Usage:

To be recessed into doors of wood, steel or aluminium profiles without joint edges, lower right and upper left, at the edge of passive door leaves, also rebated versions.

Installation:

OLDA 37 HZA is fitted recessed in the edge of the door, either flush, with cut-out or without cut-out for the forend. Fixed with four countersunk 3.5 x 40 mm screws.

Accessories:

Strike plate SP 10 is fastened with three 1 x 15 mm nails. Strike plate SP 20 is fastened with two countersunk 4.2 x 16 mm screws.

Specification:

- Automatic, single action and non-spring-loaded bolt function
- Bolt:
 - depth x width: 15 x 17 mm
 - projection: 14 mm
 - adjustability: 0 mm
- Round electrozinc plated steel forend
- Product:
 - width: 18 mm
 - height: 190 mm
 - depth: 23/50 mm
 - forend thickness: 3 mm
- Backset including forend: 3-19 mm
- Material: steel
- Coating: electrozinc plating

Related products, forend width 18 mm:

- Automatic flush bolts
 - 34 HZA and 37 HZA
- Semi-automatic flush bolts
 - 35 HZS type 1 & type 2

Complementary product:

Lock plate OLDA 19 HZ, which is adjustable after installation also optimize the “hold-close” function of flush bolt 37 HZA.

Service:

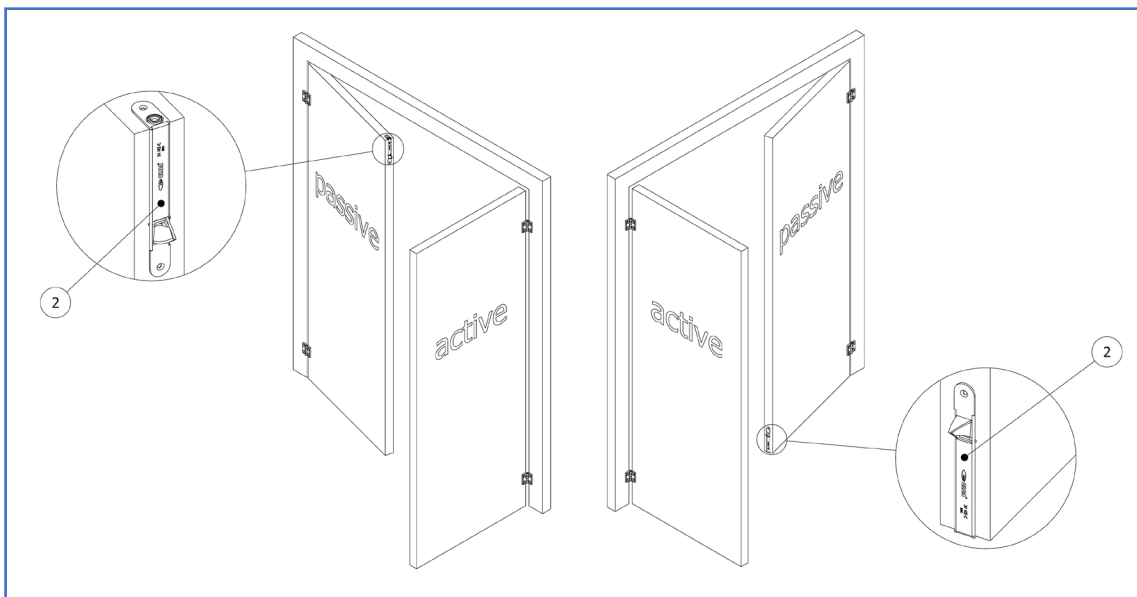
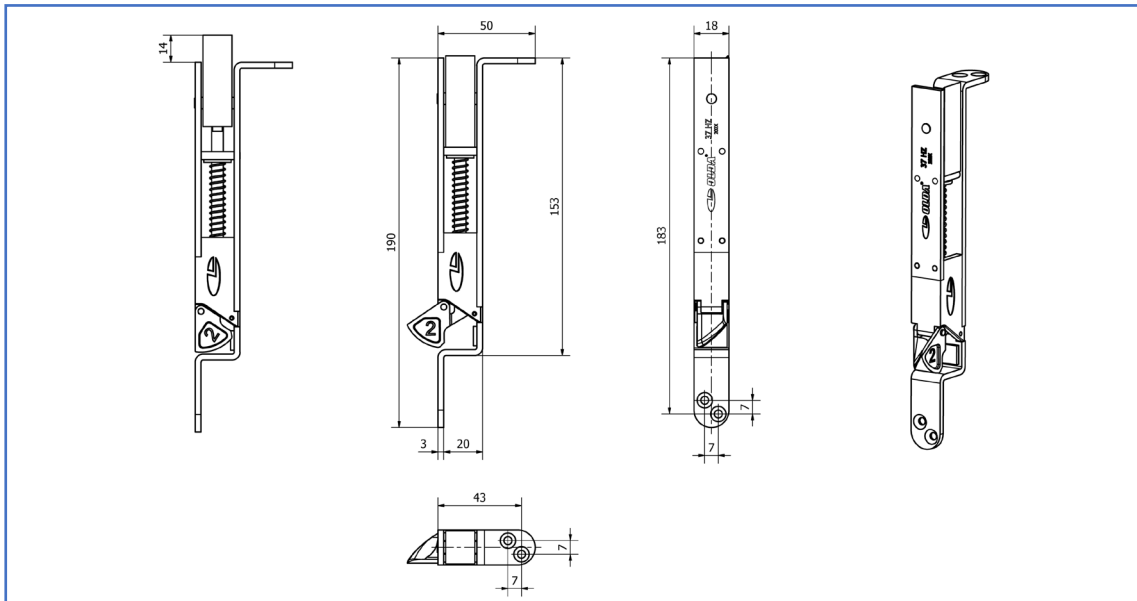
Function & system tests are recommended once or twice a year. Test, lubricate and adjust moving parts as needed.

In harsh environments or high frequent use should tests be made more often.

Warranty:

All mechanical “OLDA” branded products have a 36-month factory warranty.

Automatic flush bolt OLDA 37 HZA type 2



Product documents:

- [Dimensions](#)
- [Installation with forend cut-out](#)
- [Installation without forend cut-out](#)

Product views – 2D:

- [PDF](#)
- [DXF](#)
- [DWG](#)

Product models – 3D:

- [STEP](#)
- [DWG](#)
- [PDF – 3D](#)

OLDA product links:

- [Automatic flush bolt 37 HZA](#)
- [Flush bolt accessories](#)
- [OLDA flush bolt guide](#)
- [OLDA fittings school](#)