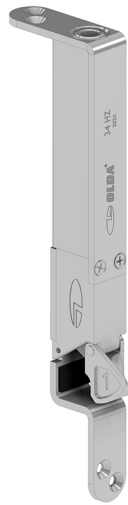


Automatic flush bolt OLDA 34 HZA type 1



Function:

Automatic, single action flush bolt for spring-loaded bolting of passive door leaf in double doors.

Features:

OLDA 34 HZA is bolted and unbolted automatically, and has bolt diameter 12 mm, backset 11 mm and forend width 18 mm.

Same dimensions as automatic flush bolt OLDA 37 HZA and semi-automatic flush bolt OLDA 35 HZS.

Usage:

To be recessed into doors of wood, steel or aluminium profiles without joint edges, lower left and upper right, at the edge of passive door leaves, also rebated versions.

Installation:

OLDA 34 HZA is fitted recessed in the edge of the door, either flush, with cut-out or without cut-out for the forend. Fixed with four countersunk 3.5 x 40 mm screws.

Accessories:

Lock plate LP 10 is fastened with four countersunk 3.5 x 16 mm screws.

Strike plate SP 10 is fastened with three 1 x 15 mm nails.

Strike plate SP 20 is fastened with two countersunk 4.2 x 16 mm screws.

Specification:

- Automatic, single action and spring-loaded bolt function
- Bolt:
 - diameter: 12 mm
 - projection: 15 mm
 - adjustability: 0 mm
- Round electrozinc plated steel forend
- Product:
 - width: 18 mm
 - height: 190 mm
 - depth: 23/50 mm
 - forend thickness: 3 mm
- Backset including forend: 11 mm
- Material: steel
- Coating: electrozinc plating

Related products, forend width 18 mm:

- Automatic flush bolts
 - 34 HZA type 1
 - 34 HZA type 2
 - 37 HZA type 1
 - 37 HZA type 2
- Semi-automatic flush bolts
 - 35 HZS type 1
 - 35 HZS type 2

Service:

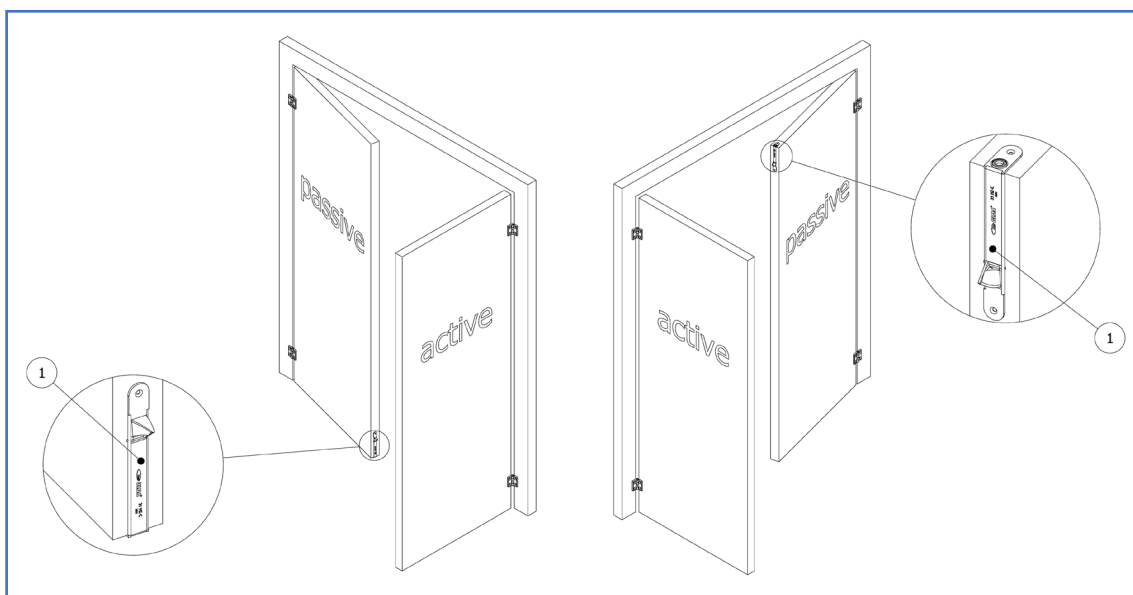
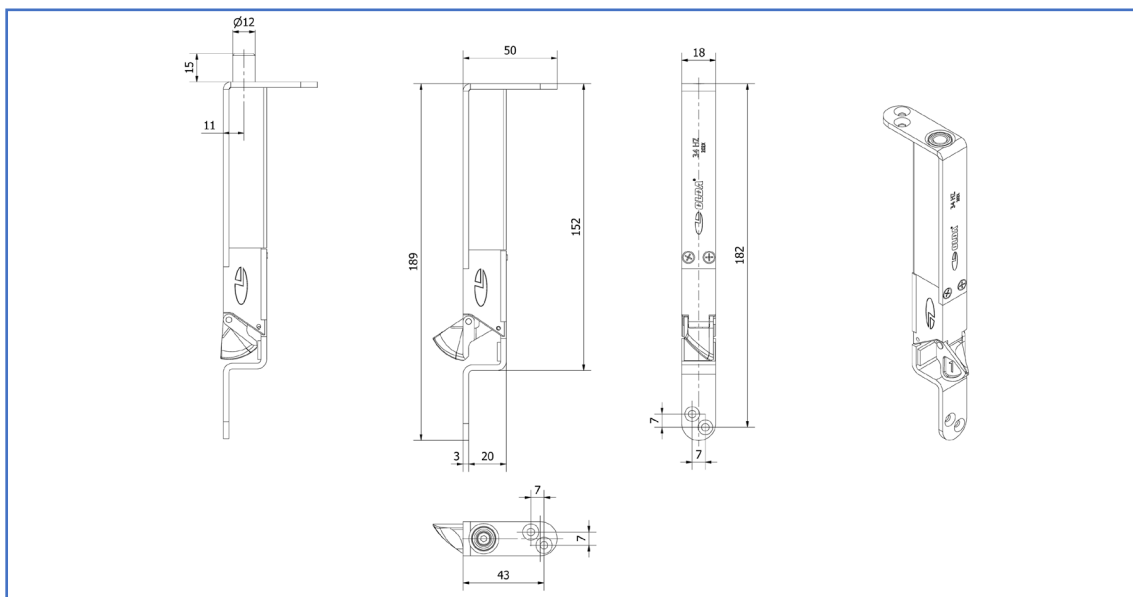
Function & system tests are recommended once or twice a year. Test, lubricate and adjust moving parts as needed.

In harsh environments or high frequent use should tests be made more often.

Warranty:

All mechanical "OLDA" branded products have a 36-month factory warranty.

Automatic flush bolt OLDA 34 HZA type 1



Product documents:

- [Dimensions](#)
- [Installation with forend cut-out](#)
- [Installation without forend cut-out](#)

Product views – 2D:

- [PDF](#)
- [DXF](#)
- [DWG](#)

Product models – 3D:

- [STEP](#)
- [DWG](#)
- [PDF – 3D](#)

OLDA product links:

- [Automatic flush bolt 34 HZA](#)
- [Flush bolt accessories](#)
- [OLDA flush bolt guide](#)
- [OLDA fittings school](#)