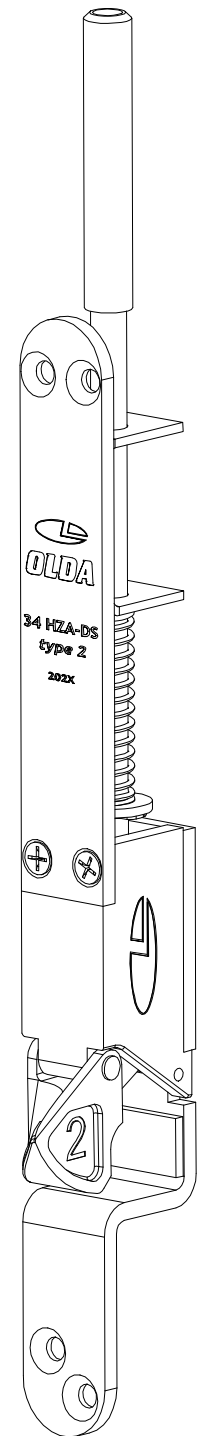
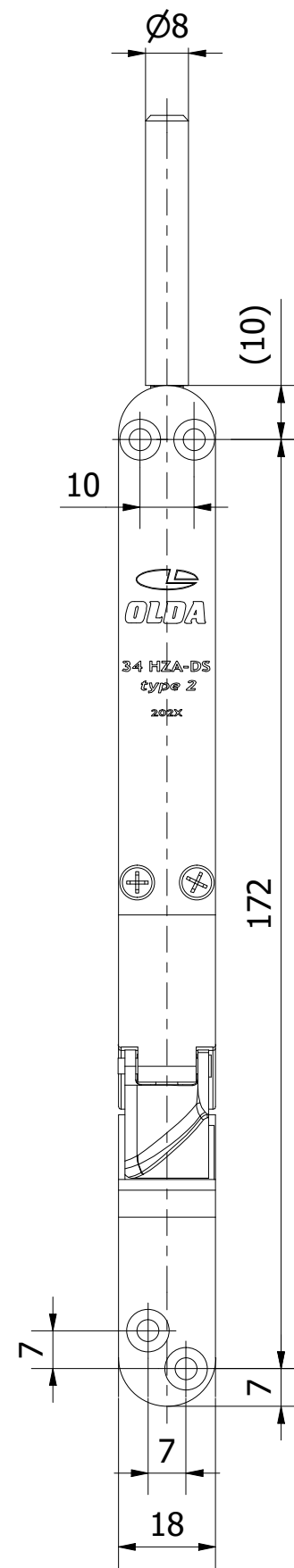
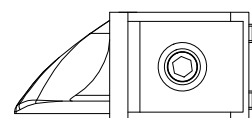
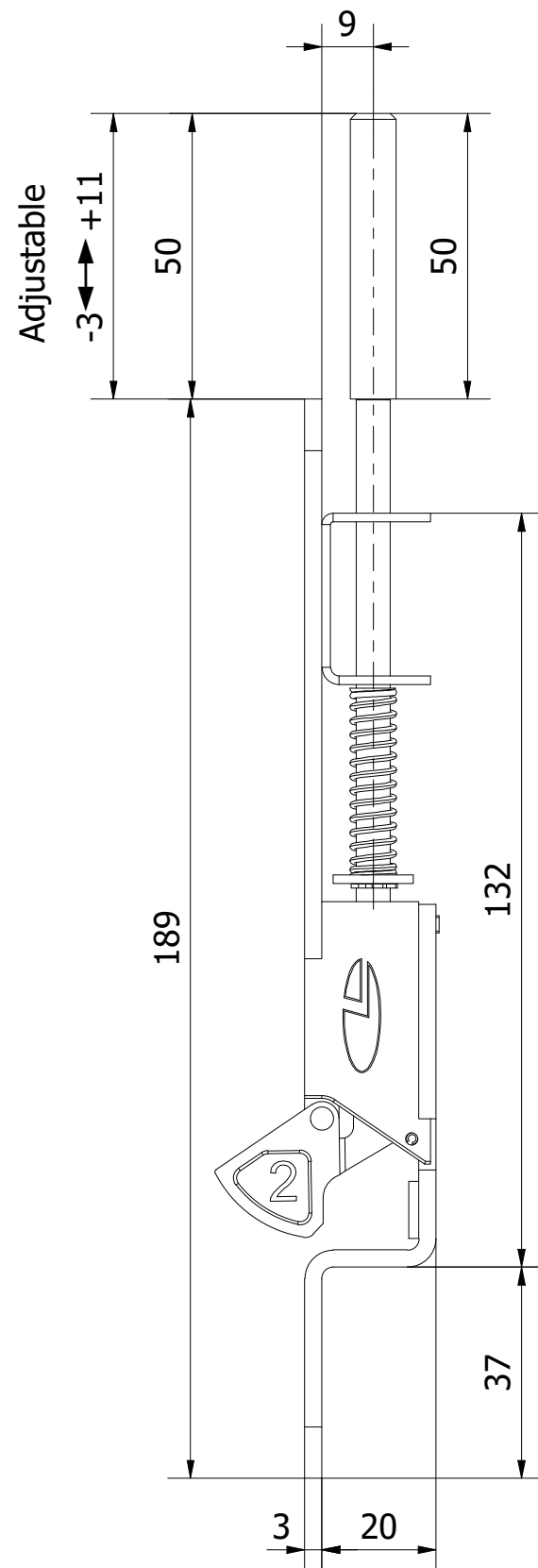
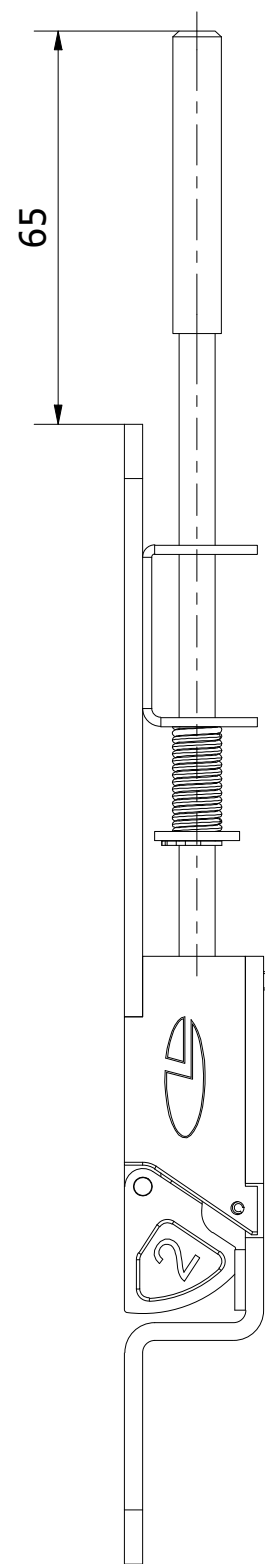


OLDA 34 HZA-DS - type 2 - automatic flush bolt

dimension drawing



| | | |
|-------------|---|------------|
| 10-134-2000 | A | 2022-03-10 |
|-------------|---|------------|