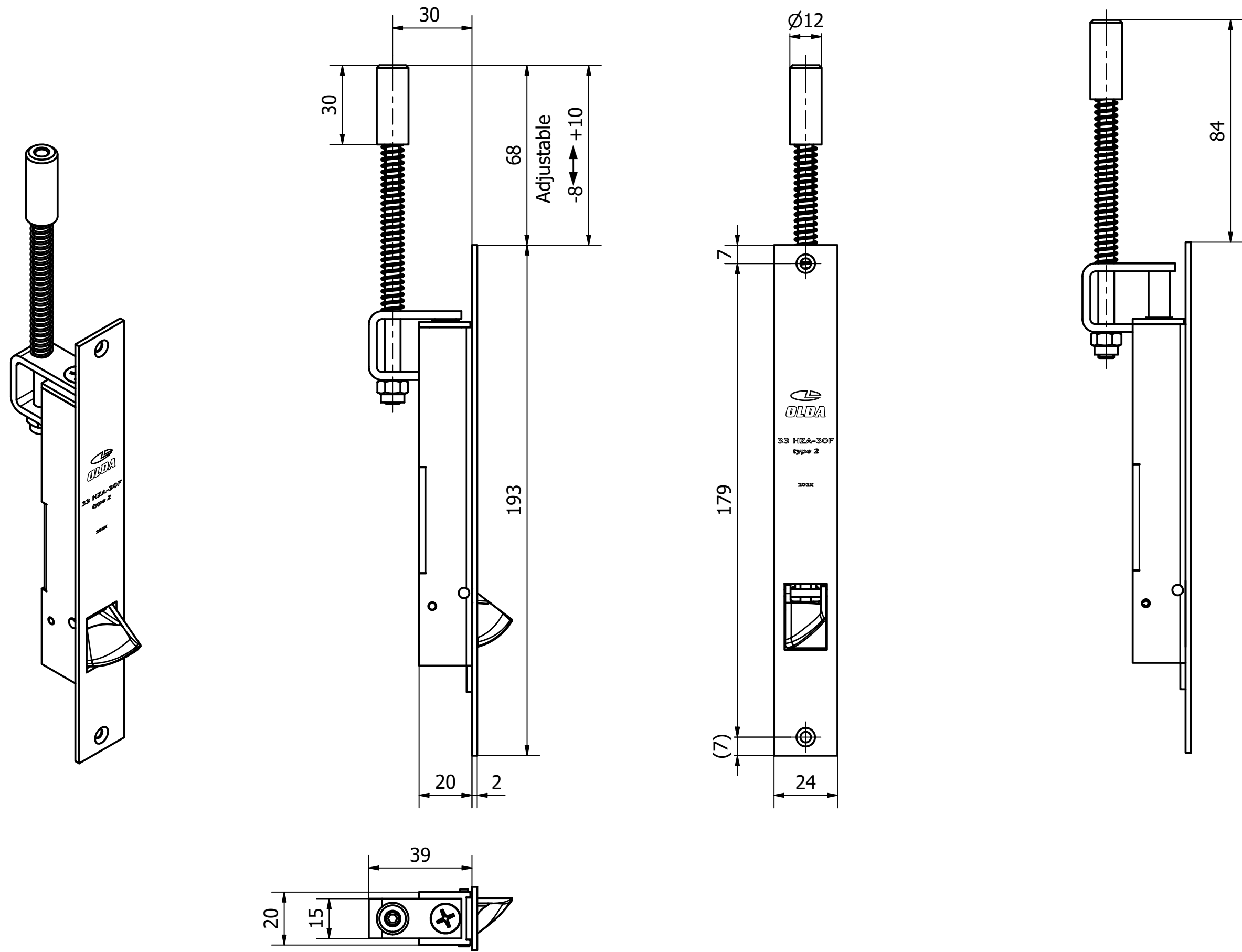


OLDA 33 HZA-30F - type 2 - automatic flush bolt

dimension drawing



10-033-2002	B	2023-10-04
-------------	---	------------