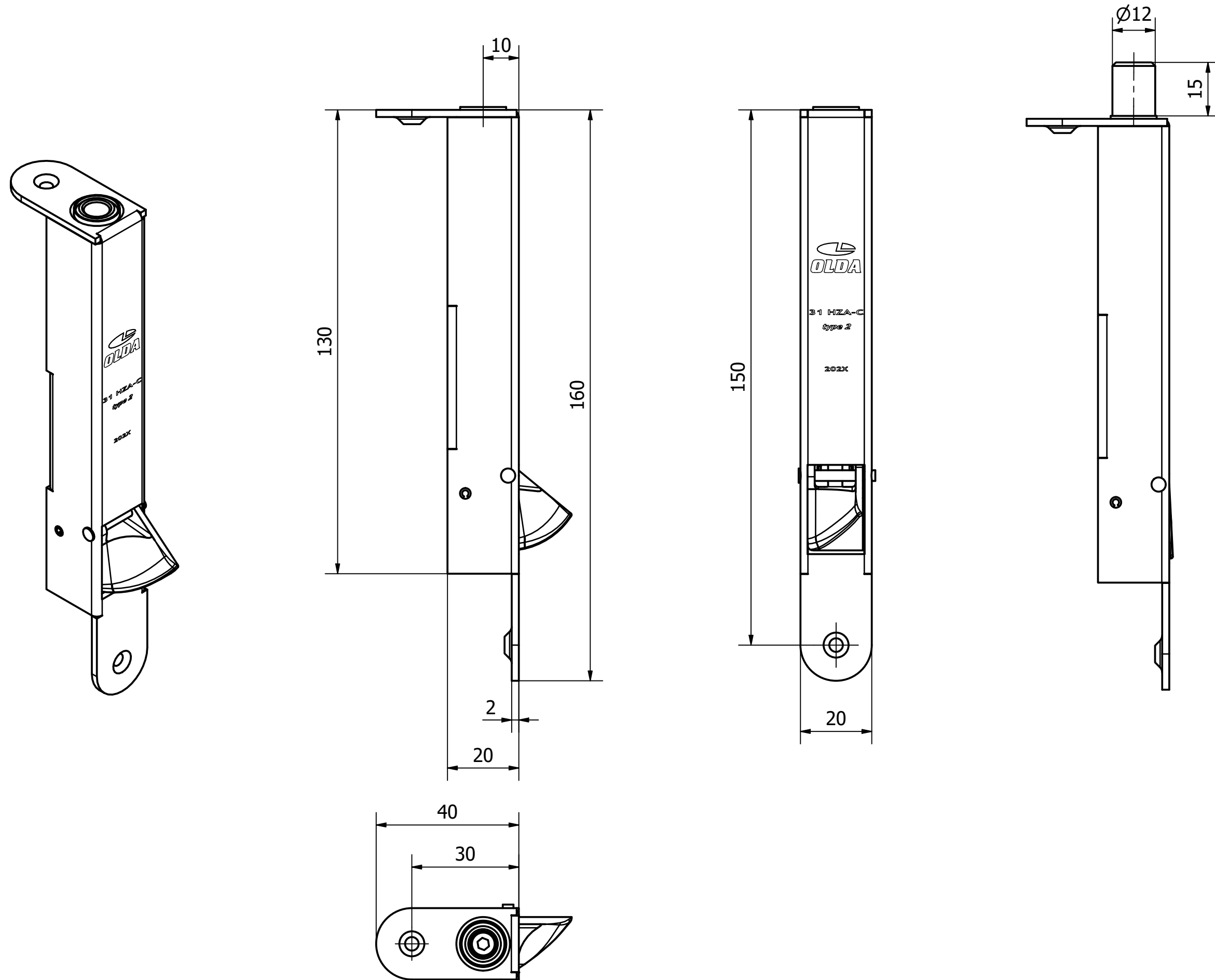


# OLDA 31 HZA-C – type 2 – automatic flush bolt

dimension drawing



10-031-2003	C	2023-09-21
-------------	---	------------