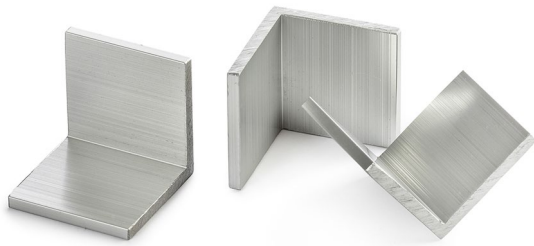
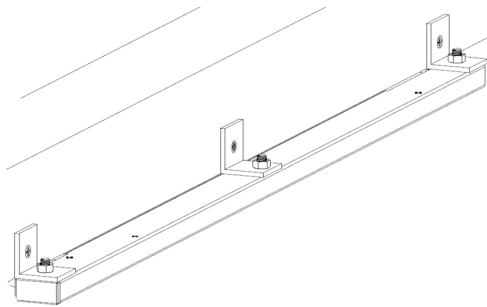


Bracket OLDA 31 DK



Function:

Bracket OLDA 31 DK is an accessory for fitting the door coordinator 30 DK behind the top frame.



Features:

Bracket OLDA 31 DK has width, depth and height 40 mm and thickness 4 mm.

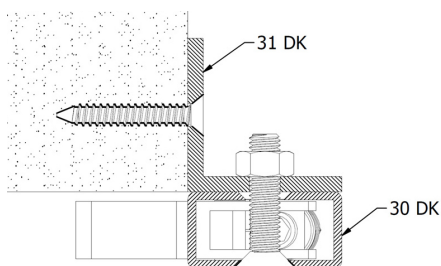
Manufactured in anodised aluminium and each set contains three brackets.

Usage:

Fits both double doors with the active door leaf to the right and to the left.

Installation:

Bracket 31 DK are fixed behind the top frame since door coordinator 30 DK is usually mounted below the top frame.



Fixed with suitable screw behind the top frame and fixing elements in 30 DK.

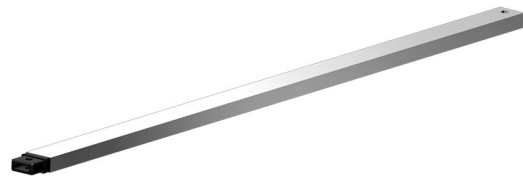
Holes for fixing are drilled at suitable positions, depending on the shape of the frame.

Specification:

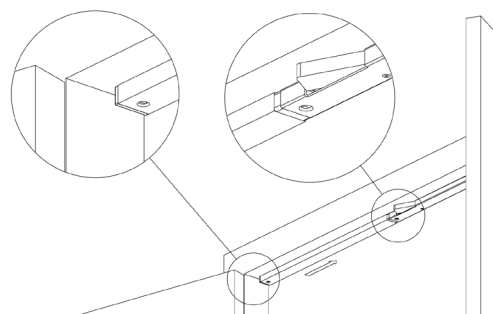
- Bracket:
 - width: 40 mm
 - depth: 40 mm
 - height: 40 mm
 - thickness: 4 mm
- Material: aluminium
- Coating: natural anodising

Complementary products:

In addition to door coordinator OLDA 30 DK, extension profile OLDA 39 DK is also available.



It has a standard length of 1 metre and is cut to fit during installation of 30 DK.



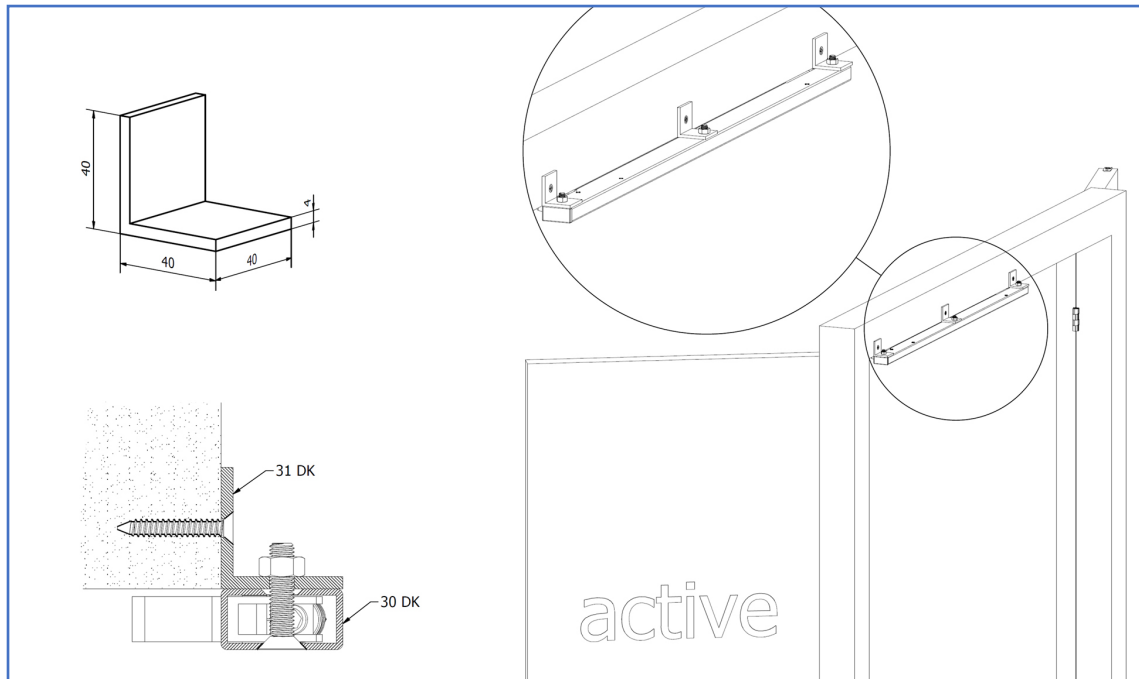
Service:

Function tests are recommended once or twice a year. Test and clean as needed.

Warranty:

All mechanical "OLDA" branded products have a 36-month factory warranty.

Bracket OLDA 31 DK



Product documents:

- [Dimensions](#)
- [Installation](#)

Product models – 2D:

- [PDF](#)
- [DXF](#)
- [DWG](#)

Product models – 3D:

- [STEP](#)
- [DWG](#)
- [PDF – 3D](#)

OLDA product links:

- [Bracket OLDA 31 DK](#)
- [Flush bolt accessories](#)
- [OLDA flush bolts](#)
- [OLDA fittings school](#)