

Automatic flush bolt OLDA 27 HZA type 1



Function:

Automatic, single action flush bolt for non-spring-loaded bolting of passive door leaf in double doors.

Features:

OLDA 27 HZA is bolted and unbolted automatically, has a 12 mm bolt diameter, backset 40 mm and forend width 25 mm.

Manufactured in electrozinc plated steel.

Usage:

Recessed into door of steel or aluminium profiles, lower left and upper right, at the edge of passive door leaves.

Installation:

Fitted recessed at the edge of the door, either flush with cut-out or without cut-out for the forend.

Fixed with two countersunk 4.8 x 25 mm screws.

Accessories:

Lock tube LT 12 (17x13) and guide tube GT 12 are fastened with two countersunk 3.5 x 16 mm screws each.

Strike plate SP 20 is fastened with two countersunk 4.2 x 25 mm screws.

Specification:

- Automatic, single action and non-spring-loaded bolt function
- Bolt:
 - diameter: 12 mm
 - length: 42 mm
 - projection: 15 mm
 - adjustability: - 9 / + 9 mm
- Round electrozinc plated steel forend
- Product:
 - width: 25 mm
 - height: 97 + 195 mm
 - depth incl. forend: 47.5 mm
 - forend thickness: 2.5 mm
- Backset including forend: 42.5 mm
- Material: steel
- Coating: electrozinc plating

Service:

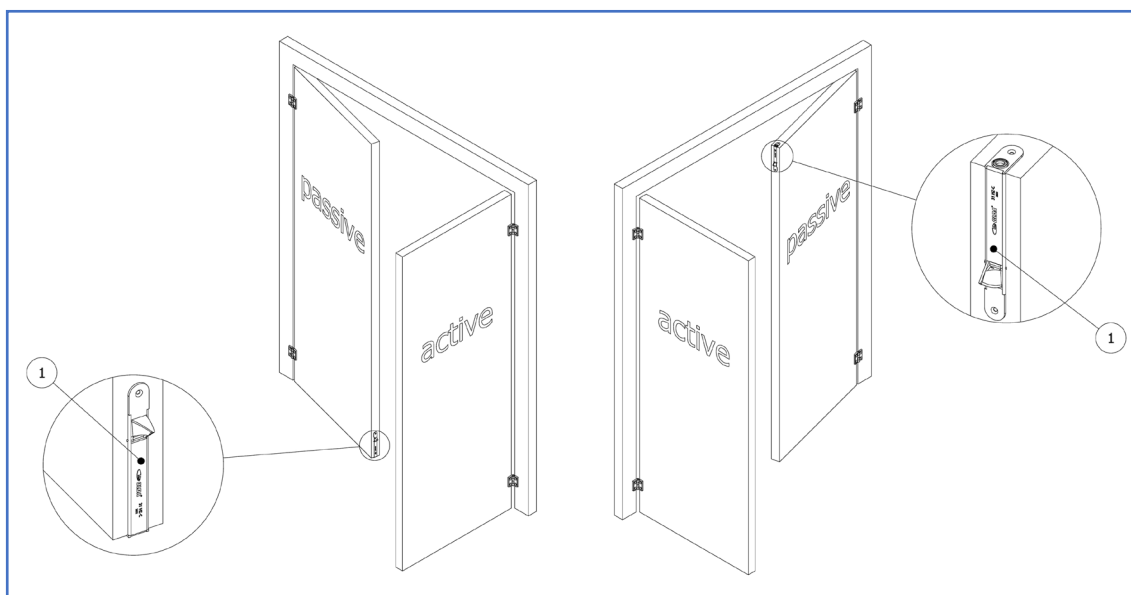
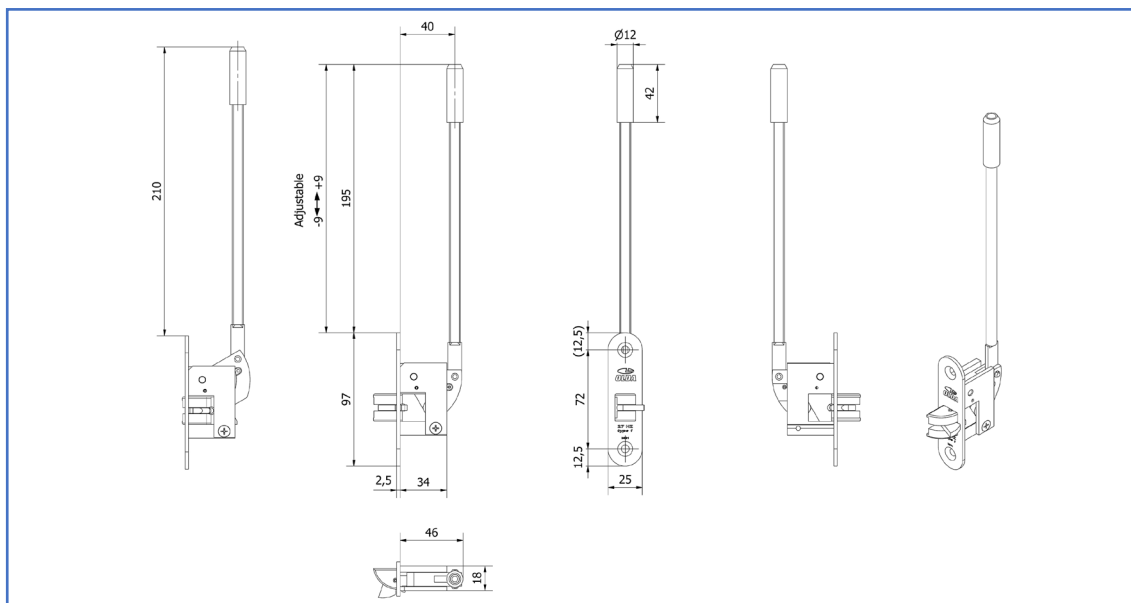
Function & system tests are recommended once or twice a year. Test, lubricate and adjust moving parts as needed.

In harsh environments or high frequent use should tests be made more often.

Warranty:

All mechanical "OLDA" branded products have a 36-month factory warranty

Automatic flush bolt OLDA 27 HZA type 1



Product documents:

- [Dimensions](#)
- [Installation with forend cut-out](#)
- [Installation without forend cut-out](#)

Product models – 3D:

- [STEP](#)
- [DWG](#)
- [PDF – 3D](#)

Product views – 2D:

- [PDF](#)
- [DXF](#)
- [DWG](#)

OLDA product links:

- [Automatic flush bolt 27 HZA](#)
- [Flush bolt accessories](#)
- [OLDA flush bolt guide](#)
- [OLDA fittings school](#)