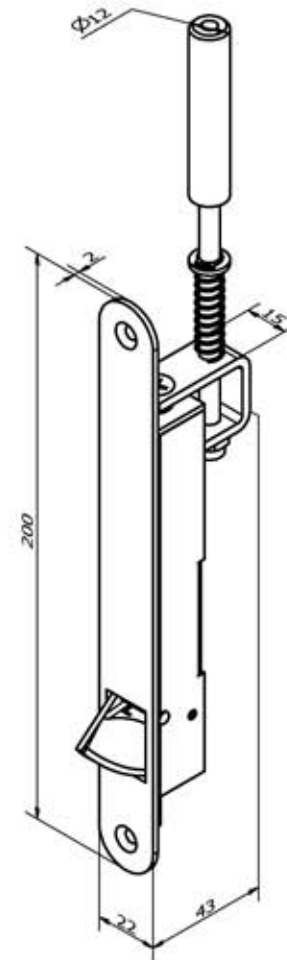
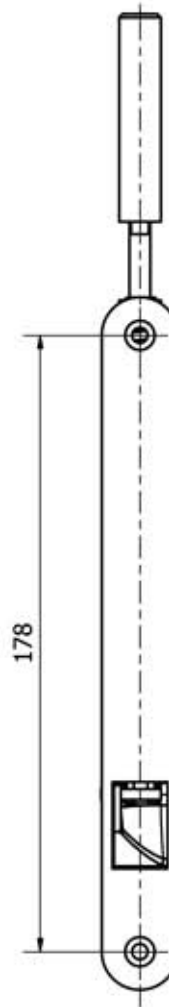
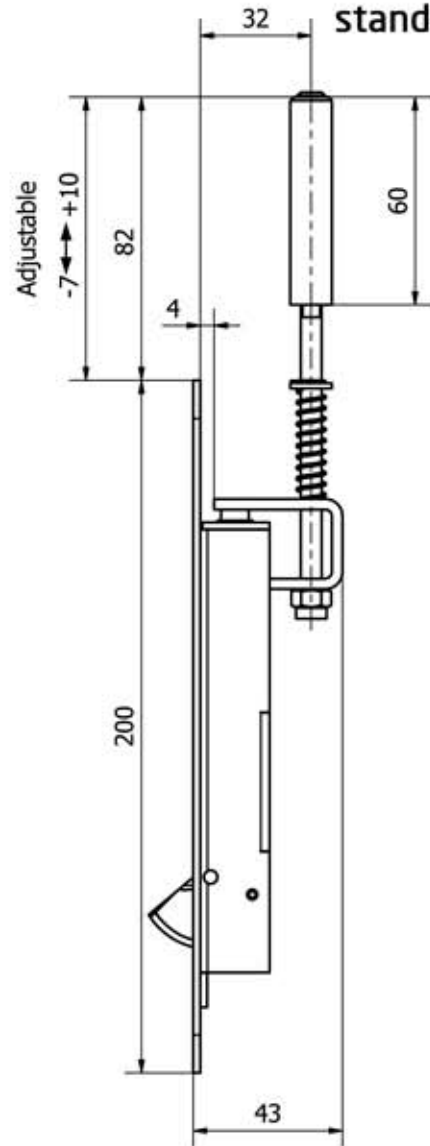
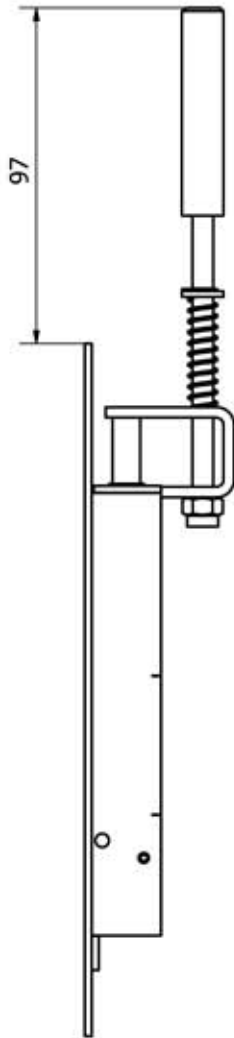
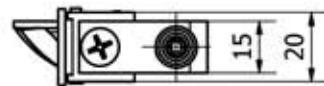


OLDA 33 HZA-R32F - automatic flush bolt - drawing
 standard version: bolt $\varnothing 12 \times 60$



drawing show flush bolt type 1



CAD33HZAR32F-12	B	2019-11-20
-----------------	---	------------