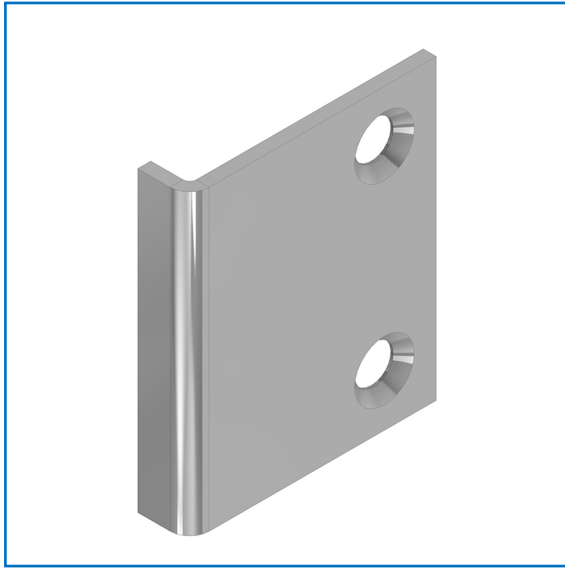


## Strike plate OLDA SP 20



Product-ID: 21-020-0001-1101

GTIN: 7340171405109

### Function:

A strike plate is used together with automatic flush bolts, to protect the active door leaf edge, when the latch on the automatic flush bolt strikes.

### Features:

OLDA SP 20 is 38 mm deep, 46 mm high and 8 mm wide with a 2 mm thickness manufactured in electrozincplated steel.

The strike plate optimizes the function of the automatic flush bolt by reducing friction for the latch and ensures secure activation.

### Usage:

Steel- and aluminium profile doors, top and bottom at the edge of the active door leaf.

### Installation:

SP 20 is fitted at the edge of the active door leaf, either with or with-out cut-out.

Fixed with two countersunk 4,2 x 16 mm screws.

### Specification:

- Product:
  - width: 8 mm
  - height: 46 mm
  - depth: 38 mm
  - thickness: 2 mm
- Material: steel
- Coating: electrozinc plating

### Related products:

Similar function as strike plate SP 10. Other recommended OLDA accessories are GT guide tubes, LT & LP lock tubes and FS & FS R dust excluding floor sockets.

### Product guides:

[OLDA accessories](#)

[OLDA flush bolts](#)

### Service:

Function-/system tests are recommended one or twice a year. Lubricate and adjust moving parts as needed, and test more often in harsh environments.

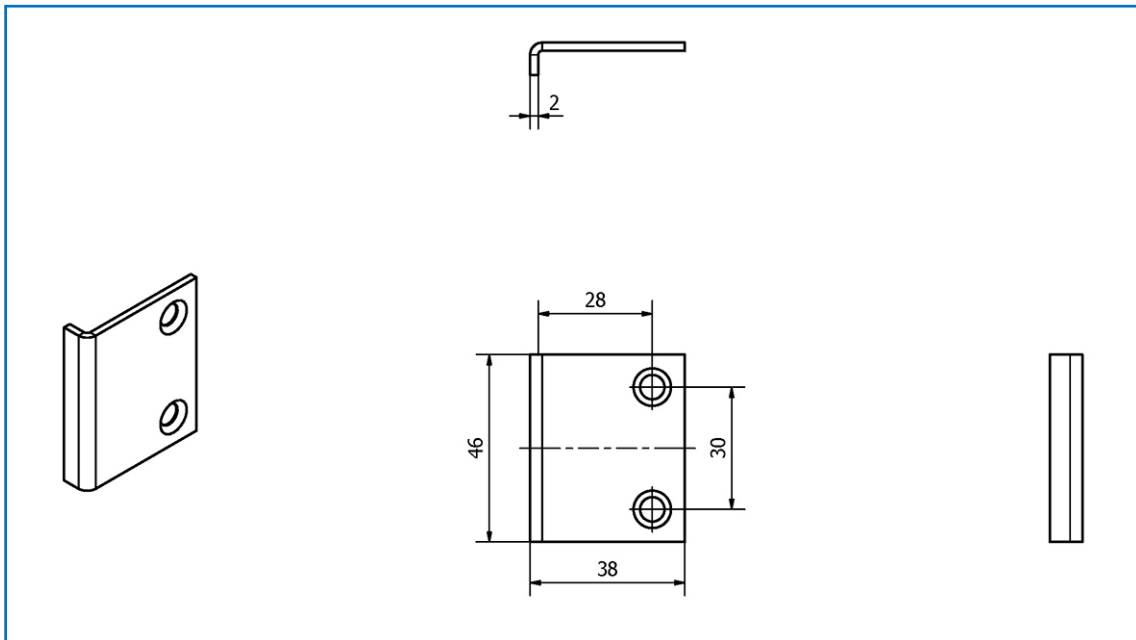
### Warranty:

All mechanical "OLDA" branded products have a 36-month factory warranty.

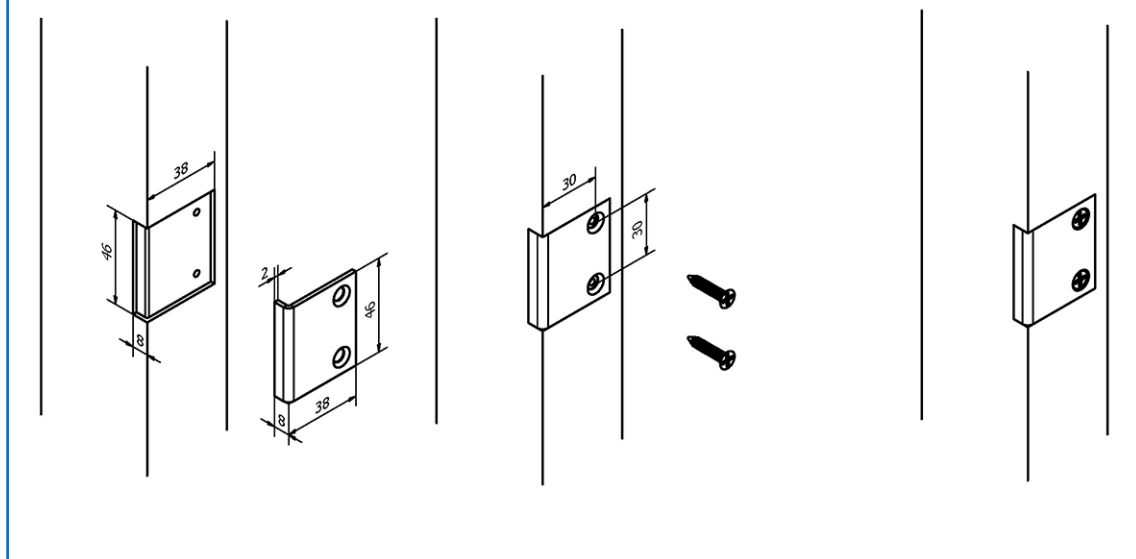
### Environment and quality:

RZ Olda Innovation AB works continuously with the improvement of our products' [environmental](#)- & quality performance, and are [ISO 9001 & 14001](#) certified.

### Strike plate OLDA SP 20



#### Installation with cut-out on active door leaf



#### Product documents:

- [Dimensions](#)
- [Installation – with cut-out](#)
- [Installation – without cut-out](#)

#### Product models – 3D:

- [STEP](#)
- [DWG](#)
- [PDF – 3D](#)

#### Product views – 2D:

- [PDF](#)
- [DXF](#)
- [DWG](#)

#### OLDA product links:

- [SP strike plates](#)
- [OLDA fittings school](#)
- [OLDA opening limiters & coordinators](#)