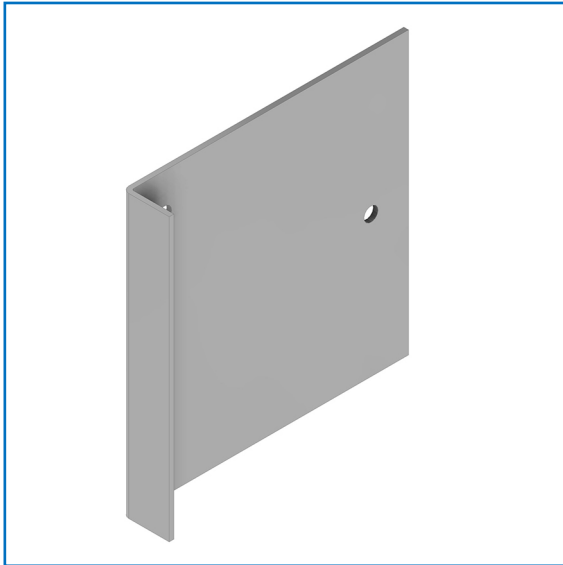


Strike plate OLDA SP 10



Product-ID: 21-010-0001-3001

GTIN: 7340171405093

Function:

A strike plate is used together with automatic flush bolts, to protect the active door leaf edge, when the latch on the automatic flush bolt strikes.

Features:

OLDA SP 10 is 30 mm deep, 30 mm high and 5 mm wide with a 0,5 mm thickness manufactured in stainless steel.

The strike plate optimizes the function of the automatic flush bolt by reducing friction for the latch and ensures secure activation.

Usage:

Strike plate OLDA SP 10 is best suited for wooden doors and in door sets with narrow air gap between the door leaves, top and bottom at the edge of the active door leaf.

Installation:

SP 10 is fitted at the edge of the active door leaf, either with or without cut-out. Fastened with three 1 x 15 mm nails.

Specification:

- Product:
 - width: 30 mm
 - height: 30 mm
 - depth: 5 mm
 - thickness: 0,5 mm
- Material: stainless steel

Related products:

Similar function as strike plate SP 20.

Strike plate SP 10-T is instead fastened with double-coated tape.

Other recommended OLDA accessories are GT guide tubes, LT & LP lock tubes and FS & FS R dust excluding floor sockets.

Product guides:

[OLDA accessories](#)

[OLDA flush bolts](#)

Service:

Function-/system tests are recommended one or twice a year. Lubricate and adjust moving parts as needed, and test more often in harsh environments.

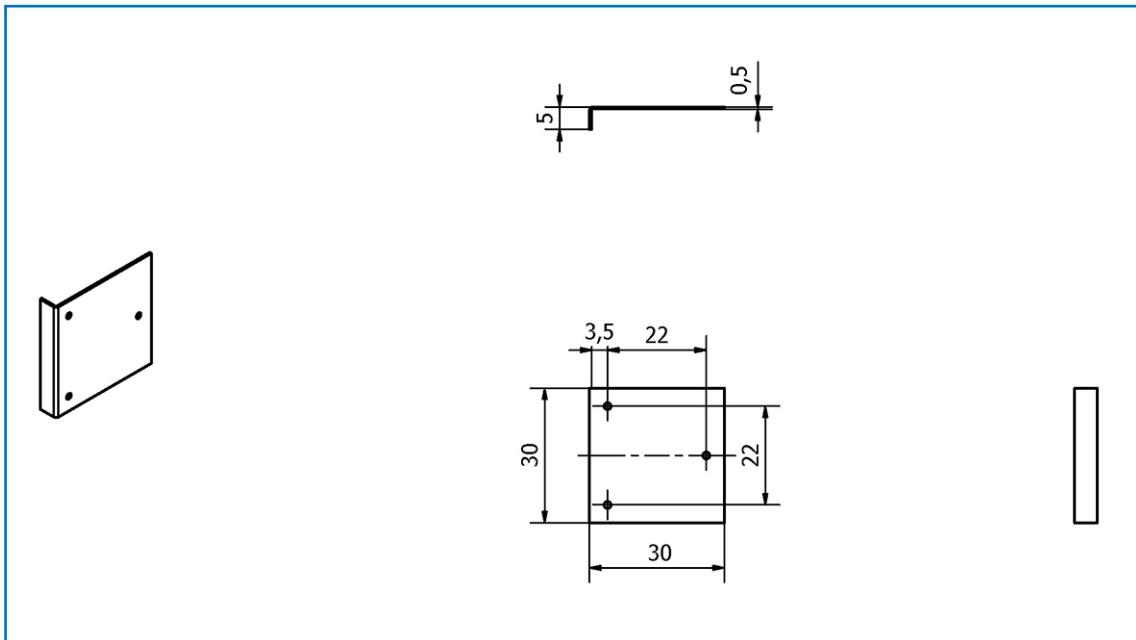
Warranty:

All mechanical "OLDA" branded products have a 36-month factory warranty.

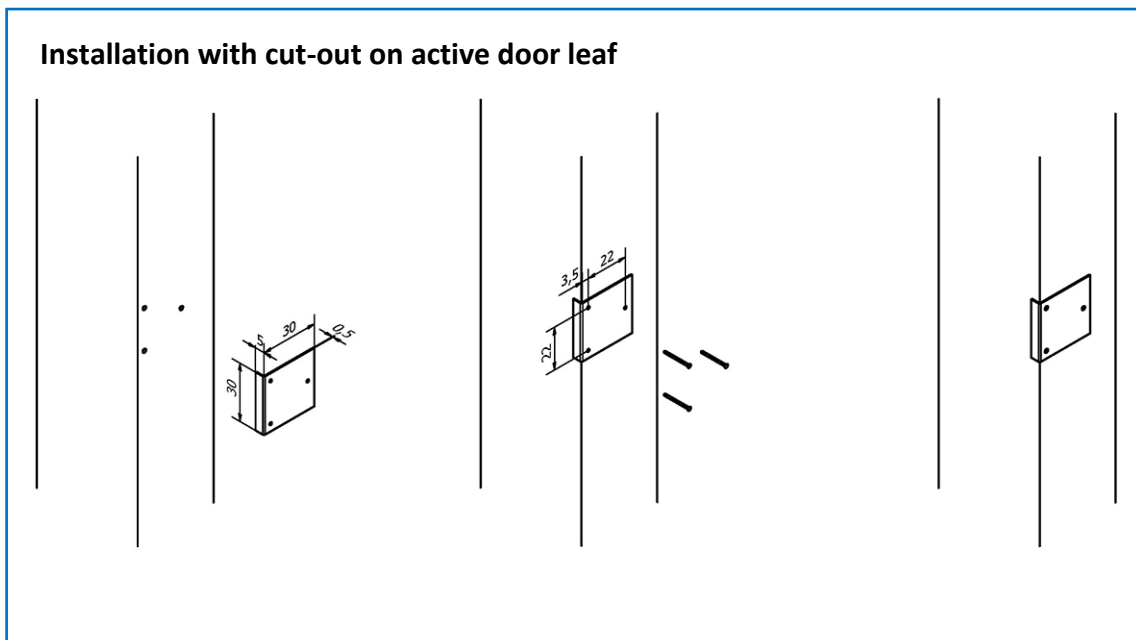
Environment and quality:

RZ Olda Innovation AB works continuously with the improvement of our products' [environmental](#)- & quality performance, and are [ISO 9001 & 14001](#) certified.

Strike plate OLDA SP 10



Installation with cut-out on active door leaf



Product documents:

- [Dimensions](#)
- [Installation – without cut-out](#)

Product models – 3D:

- [STEP](#)
- [DWG](#)
- [PDF – 3D](#)

Product views – 2D:

- [PDF](#)
- [DXF](#)
- [DWG](#)

OLDA product links:

- [SP strike plates](#)
- [OLDA fittings school](#)
- [OLDA opening limiters & coordinators](#)