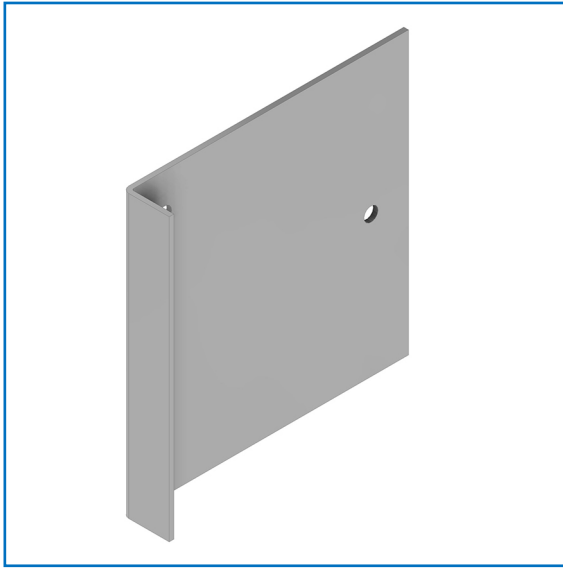


## Strike plate OLDA SP 10



Product-ID: 21-010-0001-3001

GTIN: 7340171405093

### Function:

A strike plate is used together with automatic flush bolts, to protect the active door leaf edge, when the latch on the automatic flush bolt strikes.

### Features:

OLDA SP 10 is 30 mm deep, 30 mm high and 5 mm wide with a 0,5 mm thickness manufactured in stainless steel.

The strike plate optimizes the function of the automatic flush bolt by reducing friction for the latch and ensures secure activation.

### Usage:

Strike plate OLDA SP 10 is best suited for wooden doors and in door sets with narrow air gap between the door leaves.

### Installation:

SP 10 is fitted both top and bottom at the edge of the active door leaf.

Fastened with three 1 x 15 mm copper plated nails (MN 2001).

*Strike plate and fasteners can also be ordered together as kit 21.*

### Specification:

- Product:
  - width: 30 mm
  - height: 30 mm
  - depth: 5 mm
  - thickness: 0,5 mm
- Material: stainless steel

### Related products:

Similar function as strike plate SP 20.

Strike plate SP 10-T is instead fastened with double-coated tape.

Other recommended OLDA accessories are GT guide tubes, LT & LP lock tubes and FS & FS R dust excluding floor sockets.

### Product guides:

[OLDA accessories](#)

[OLDA flush bolts](#)

### Service:

Function-/system tests are recommended once or twice a year. Lubricate and adjust moving parts as needed, and test more often in harsh environments.

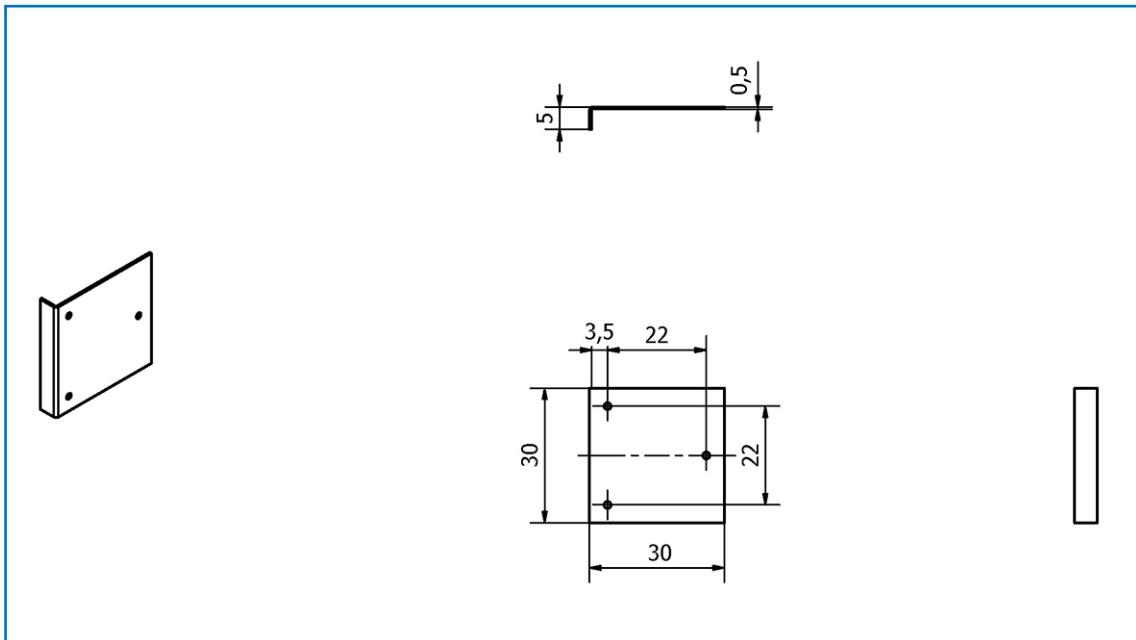
### Warranty:

All mechanical “OLDA” branded products have a 36-month factory warranty.

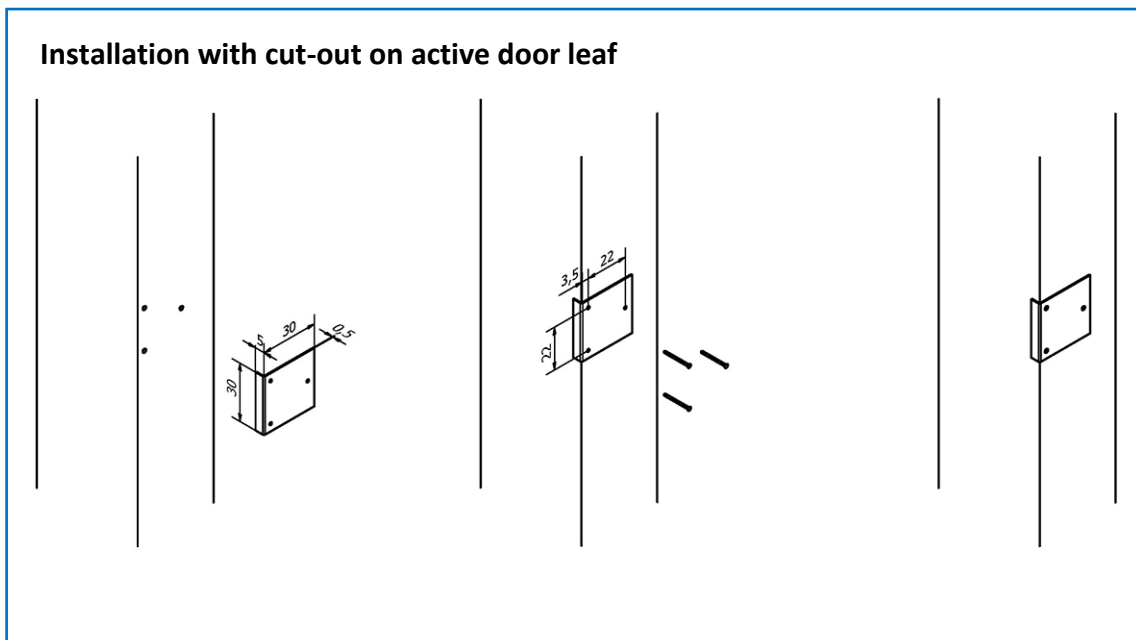
### Environment and quality:

RZ Olda Innovation AB works continuously with the improvement of our products’ [environmental](#)- & quality performance, and are [ISO 9001 & 14001](#) certified.

### Strike plate OLDA SP 10



#### Installation with cut-out on active door leaf



#### Product documents:

- [Dimensions](#)
- [Installation – without cut-out](#)

#### Product models – 3D:

- [STEP](#)
- [DWG](#)
- [PDF – 3D](#)

#### Product views – 2D:

- [PDF](#)
- [DXF](#)
- [DWG](#)

#### OLDA product links:

- [SP strike plates](#)
- [OLDA fittings school](#)
- [OLDA opening limiters & coordinators](#)