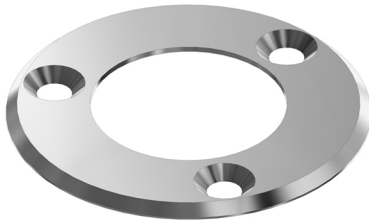


Mounting bracket OLDA FS R30



Function:

Screw mounting washer designed as an accessory to OLDA round dust excluding floor socket FS R12 and FS R15.

Features:

Mounting bracket OLDA FS R30 allows FS R12 to be screwed into a wooden sill or a wooden floor.

Made in stainless steel for longer life.

Usage:

The stainless washer FS R30 provides an elegant and safe screw installation with minimal space requirements, which is very important when mounting directly into the floor together double doors without any threshold.

Installation:

OLDA FS R30 is screwed directly into a wooden floor or into a wooden sill. Fixed with three countersunk 4 x 20 mm screws.

Specification:

- Fits OLDA FS R12 and FS R15
- Product:
 - outer diameter: 50 mm
 - inner diameter: 30 mm
 - thickness: 2 mm
- Material: stainless steel

Related products:

- Floor socket FS 12
- Floor socket FS 15
- Round floor socket FS R12
- Round floor socket FS R15
- Mounting bracket FS R30, designed for FS R12/R15

Service:

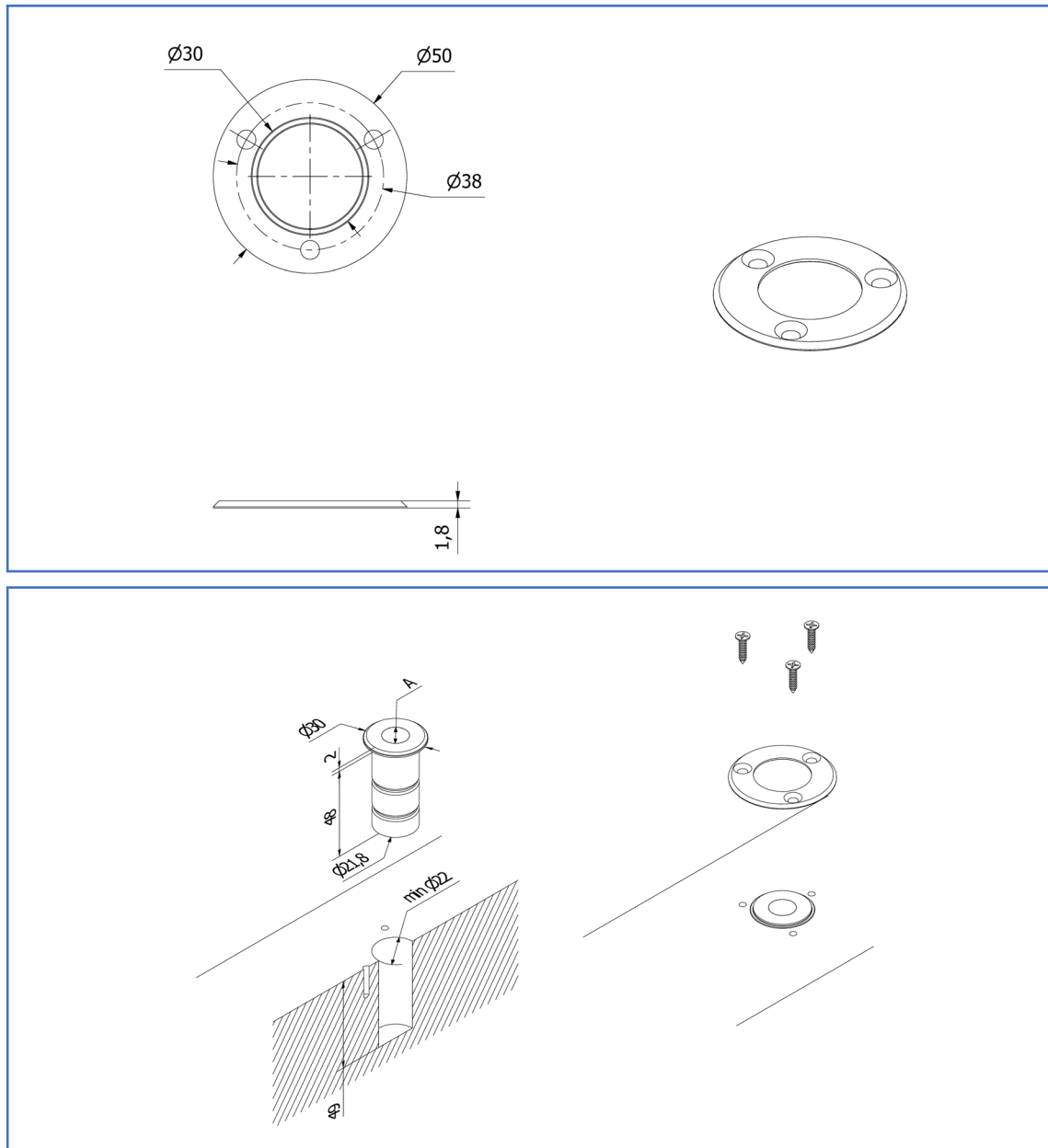
Function & system tests are recommended once or twice a year of the round dust excluding floor sockets FS R12 and FS R15. Test, lubricate and adjust moving parts as needed.

In harsh environments or high frequent use should tests be made more often.

Warranty:

All mechanical "OLDA" branded products have a 36-month factory warranty.

Mounting bracket OLDA FS R30



Product documents:

- [Dimensions](#)
- [Installation](#)

Product views – 2D:

- [PDF](#)
- [DXF](#)
- [DWG](#)

Product models – 3D:

- [STEP](#)
- [DWG](#)
- [PDF – 3D](#)

OLDA product links:

- [Floor socket OLDA FS R](#)
- [Flush bolt accessories](#)
- [OLDA flush bolts](#)
- [OLDA fittings school](#)