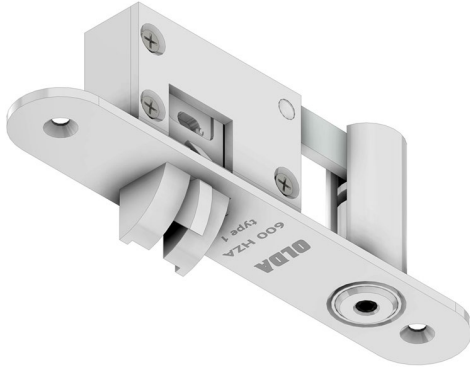


Automatic frame bolt OLDA 600 HZA type 1



Function:

Automatic, single action frame bolt for non-spring-loaded bolting of passive door leaf in double doors.

Features:

OLDA 600 HZA is bolted and unbolted automatically, and has bolt diameter 14 mm, forend width 24 mm and 60 mm c/c distance between bolt and latch.

It works like a regular flush bolt with a minimal door leaf, simplified fitting and enhanced fire-proof security as main advantages.

A version with 100 mm c/c distance, OLDA 602 HZA, is also available.

Usage:

To be recessed into steel- and aluminium frames with a right passive door leaf, in particular if fire requirements are strict.

Installation:

OLDA 600 HZA is fitted recessed in the door frames above the door leaves, either flush with cut-out or without cut-out for the forend.

Fixed with two countersunk 3.5 x 16 mm screws.

Accessories:

Lock tube LT 14 (17x15) is fastened with two countersunk 3.5 x 16 mm screws. Strike plate SP 20 is fastened with two countersunk 4.2 x 16 mm screws.

Specification:

- Automatic, single action and non-spring-loaded bolt function
- Bolt:
 - diameter: 14 mm
 - projection: 20 mm
 - adjustability: - 4 / + 4 mm
- Round electrozinc plated steel forend
- Product:
 - width: 24 mm
 - height: 136 mm
 - depth: 44.5 mm
 - forend thickness: 2.5 mm
 - c/c bolt and latch: 60 mm
- Material: steel
- Coating: electrozinc plating

Related OLDA frame bolts:

- Automatic frame bolts
 - 600 HZA
 - 602 HZA

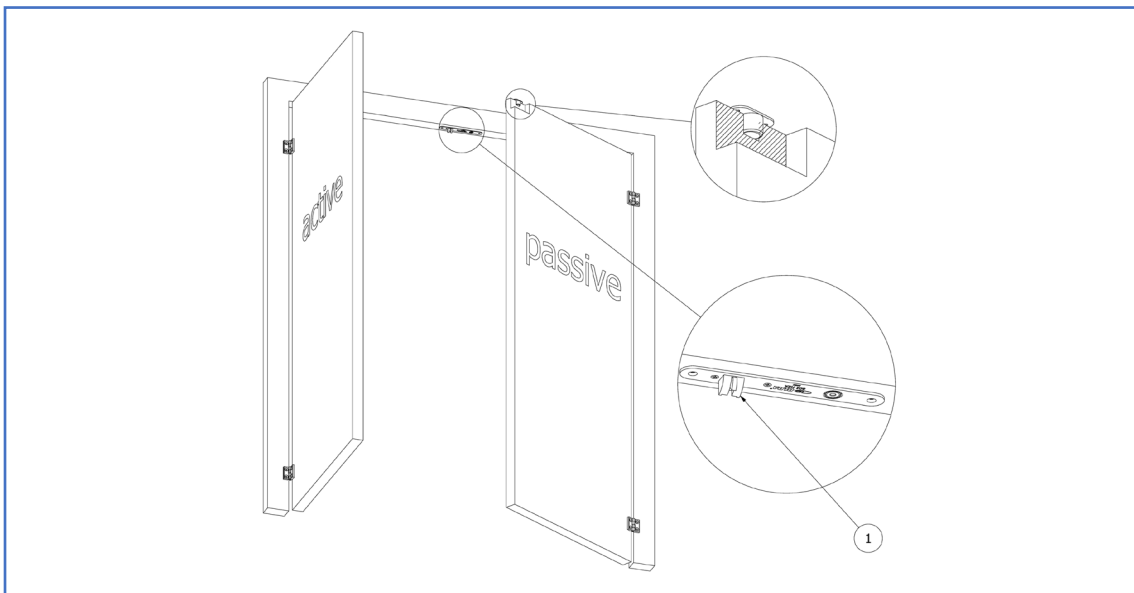
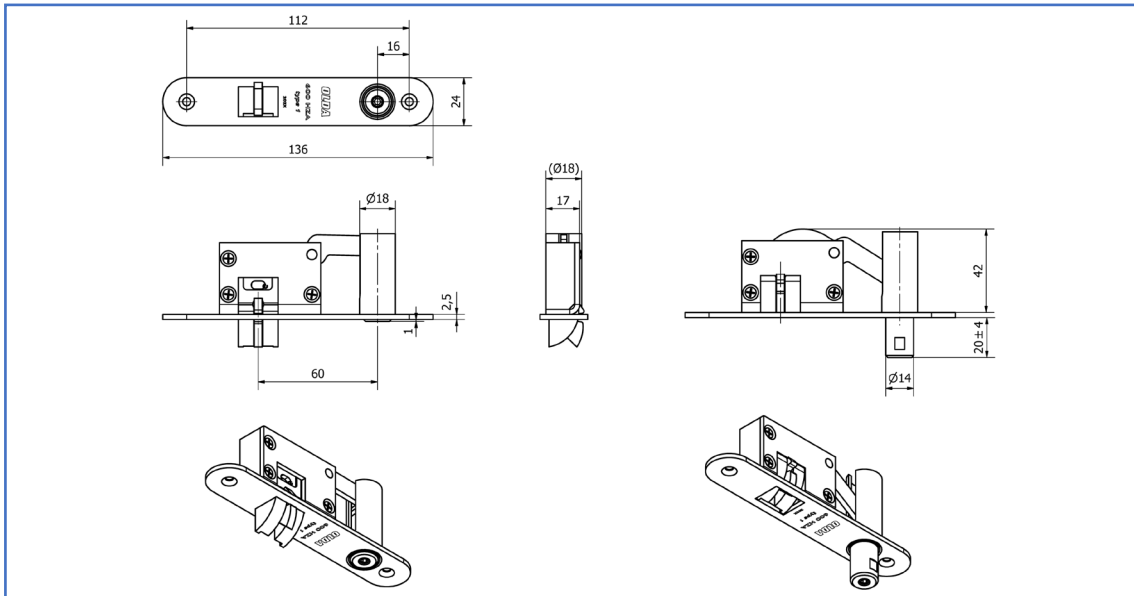
Service:

Function & system tests are recommended once or twice a year. Test, lubricate and adjust moving parts as needed.

In harsh environments or high frequent use should tests be made more often.

Warranty:

All mechanical "OLDA" branded products have a 36-month factory warranty.

Automatic frame bolt OLDA 600 HZA type 1

Product documents:

- [Dimensions](#)
- [Installation with forend cut-out](#)
- [Installation without forend cut-out](#)

Product views – 2D:

- [PDF](#)
- [DXF](#)
- [DWG](#)

Product models – 3D:

- [STEP](#)
- [DWG](#)
- [PDF – 3D](#)

OLDA product links:

- [Automatic frame bolt 600 HZA](#)
- [Flush bolt accessories](#)
- [OLDA flush bolt guide](#)
- [OLDA fittings school](#)