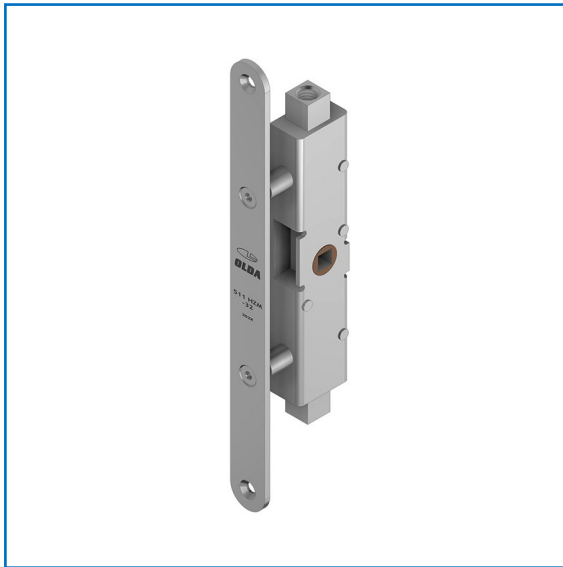


## Double action manual flush bolt OLDA 511 HZM-32



Product-ID: 11-511-0003-1201

GTIN: 7340171407967

### Function:

Manual, double action flush bolt for non-spring-loaded bolting of passive door leaf in double doors, windows and doors.

### Features:

OLDA 511 HZM-32 is bolted and unbolted with a handle rotated 90° in the □ 8 mm hole. Stainless forend 20x225 mm, backset 32 mm and two M10 couplings.

### Usage:

Recessed into the edge of doors leaves and windows made of wood, steel or aluminium. Enables a hidden "espagnolette function" in doors/windows with optional handle.

### Installation:

Fitted recessed in the edge of the door/window edge, with/without forend cut-out. Fixed with two countersunk 4,2 x 25 mm screws.

The handle is mounted on one/two sides depending on desired level of security.

M10 adapters to M8- & M6 threaded rods are available.

The chosen threaded rod is cut to length, connected top and/or bottom depending on the needs of the current application.

### Accessories:

OLDA bolt Ø 12x60 mm (art #18-020-1203-3001), guide tube GT 12 together with lock tube LT 12 (17x13) fits M6 threaded rod.

### Specification:

- Manuell, double action and non-spring-loaded bolt function
- Projection: 12 mm
- Round forend of stainless steel
- Product:
  - width: 20 mm
  - height: 225 mm
  - depth: 50,5 mm
  - forend thickness: 3 mm
- Backset including forend: 35 mm
- Fits handle: □ 8 mm
- Material: steel
- Coating: electro zinc plating

### Related products:

Manuella flush bolt 511 HZM also available with backset 20 & 43 mm.

### Product guides:

[OLDA flush bolts](#)

[OLDA accessories](#)

### Service:

Function-/system tests are recommended once or twice a year. Lubricate and adjust as needed, and test more often in harsh environments.

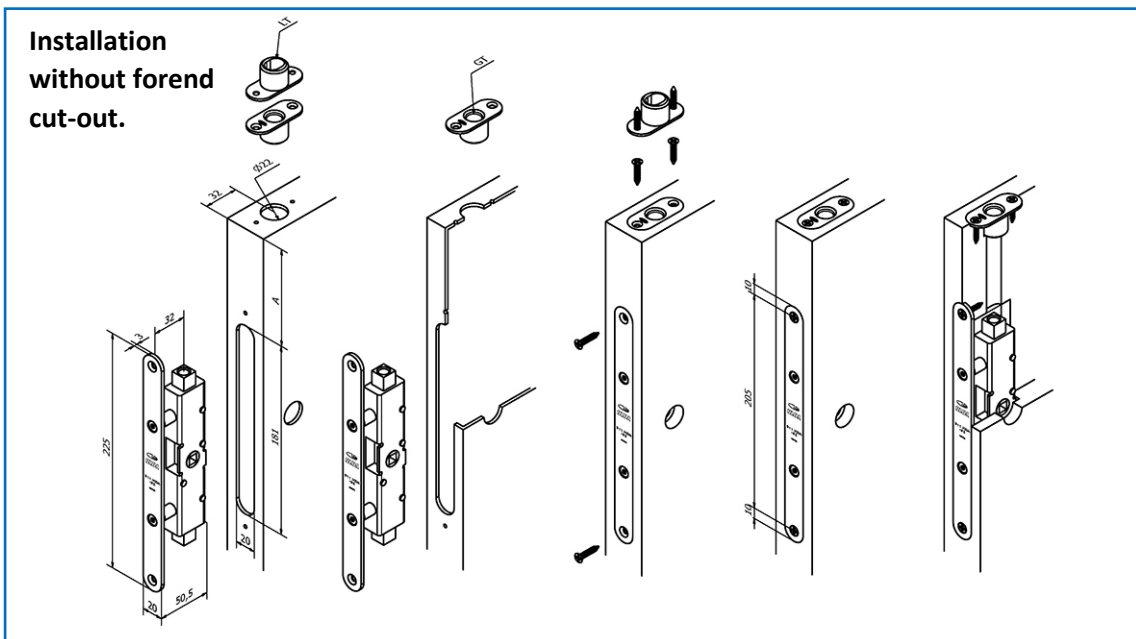
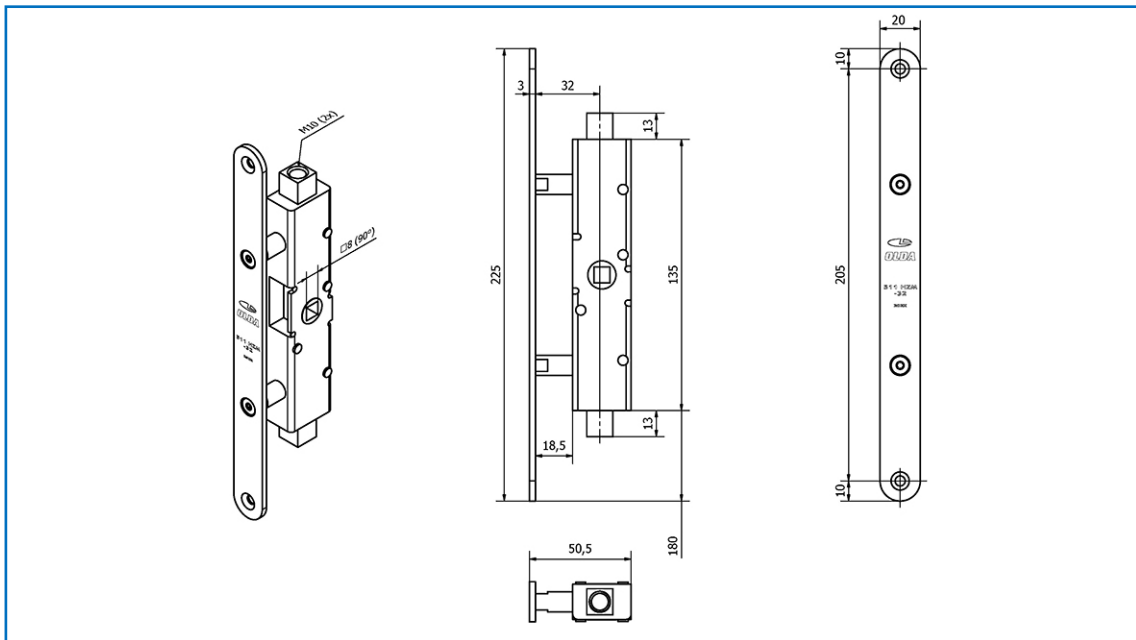
### Warranty:

All mechanical "OLDA" branded products have a 36-month factory warranty.

### Environment and quality:

RZ Olda Innovation AB works continuously with the improvement of our products' [environmental](#)- & quality performance, and are [ISO 9001 & 14001](#) certified.

**Double action manual flush bolt OLDA 511 HZM-32**



**Product documents:**

- [Dimensions](#)
- [Installation – with forend cut-out](#)
- [Installation – without forend cut-out](#)

**Product models – 3D:**

- [STEP](#)
- [DWG](#)
- [PDF – 3D](#)

**Product views – 2D:**

- [PDF](#)
- [DXF](#)
- [DWG](#)

**OLDA 511 HZM-32 schematics:**

- [511 kit - rendering](#)
- [511 kit – assembly drawing](#)
- [511 kit – exploded view](#)