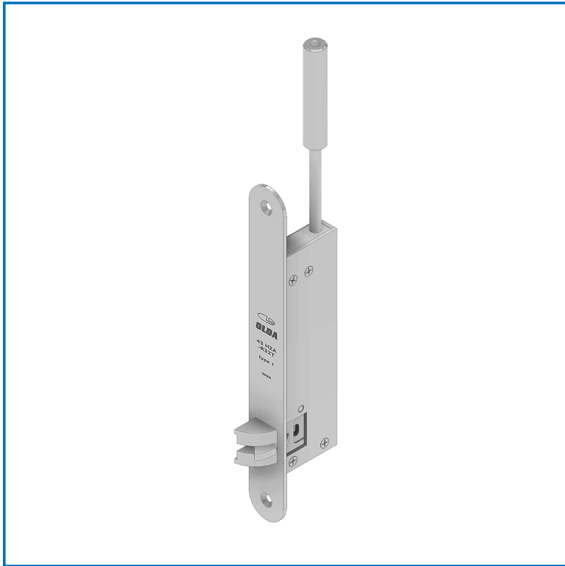


### Automatic flush bolt OLDA 43 HZA-R32T type 1



Product-ID: 10-143-1011-1201

GTIN: 7340171407301

#### Function:

Automatisk, single action flush bolt for non-spring-loaded bolting of passive door leaf in double doors.

#### Features:

OLDA 43 HZA-R32T is bolted & unbolted automatically, has bolt  $\varnothing$  12 x 60 mm, backset 32 mm and forend width 22 mm.

#### Usage:

To be recessed into doors of steel or aluminium profiles, lower left and upper right, at the edge of passive door leaves. Suitable for integration with automatic drop seals and/or large gaps between door leaf & frame and sill/floor.

#### Installation:

Fitted recessed in the edge of the door, either flush, with cut-out or without cut-out for the forend. Fixed with two countersunk 3,5 x 16 mm screws.

#### Accessories:

Guide tube GT 12 & lock tube LT 12 (17x13) are fastened with two countersunk 3,5 x 16 mm screws each.

Strike plate SP 20 is fastened with two countersunk 4,2 x 16 mm screws.

#### Specification:

- Automatic, single action and non-spring-loaded bolt function
- Bolt:
  - diameter: 12 mm
  - length: 60 mm
  - projection: 22 mm
  - adjustability: -4 / +15 mm
- Round forend in stainless steel
- Product:
  - width: 24 mm
  - height: 200 + 70 mm
  - depth: 42 mm
  - forend thickness: 2 mm
- Backset including forend: 34 mm
- Material: steel
- Coating: electrozinc plating

#### Related products:

Similar dimensions as automatic flush bolt 43 HZA-32T with rectangular forend and bolt length 60 mm.

#### Product guides:

[OLDA flush bolts](#)

[OLDA accessories](#)

#### Service:

Function-/system tests are recommended one or twice a year. Lubricate and adjust moving parts as needed, and test more often in harsh environments.

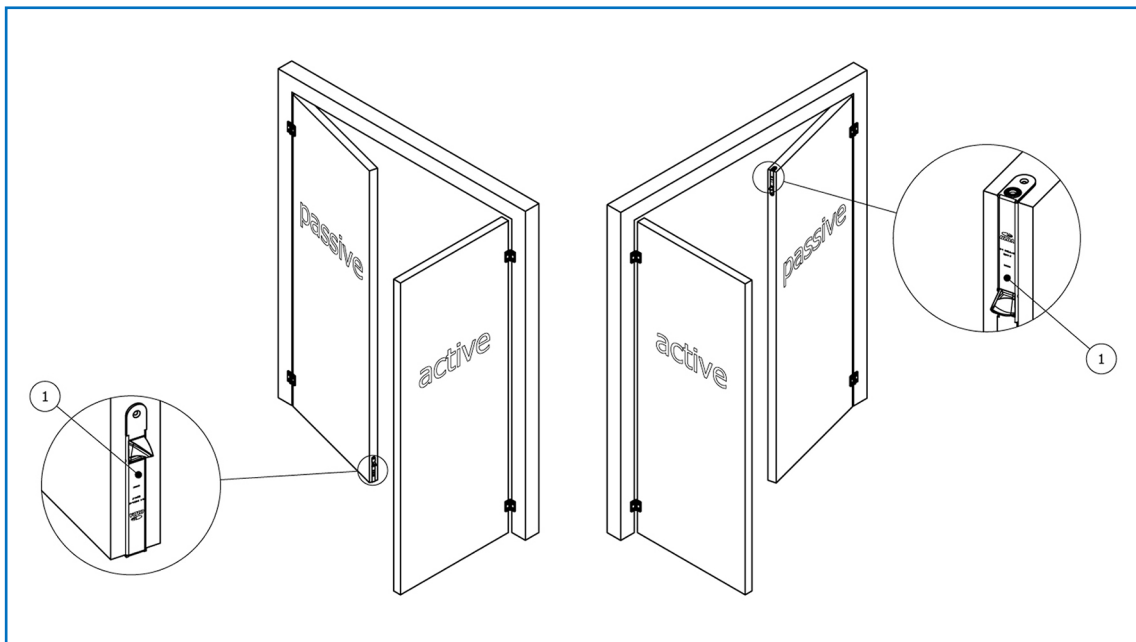
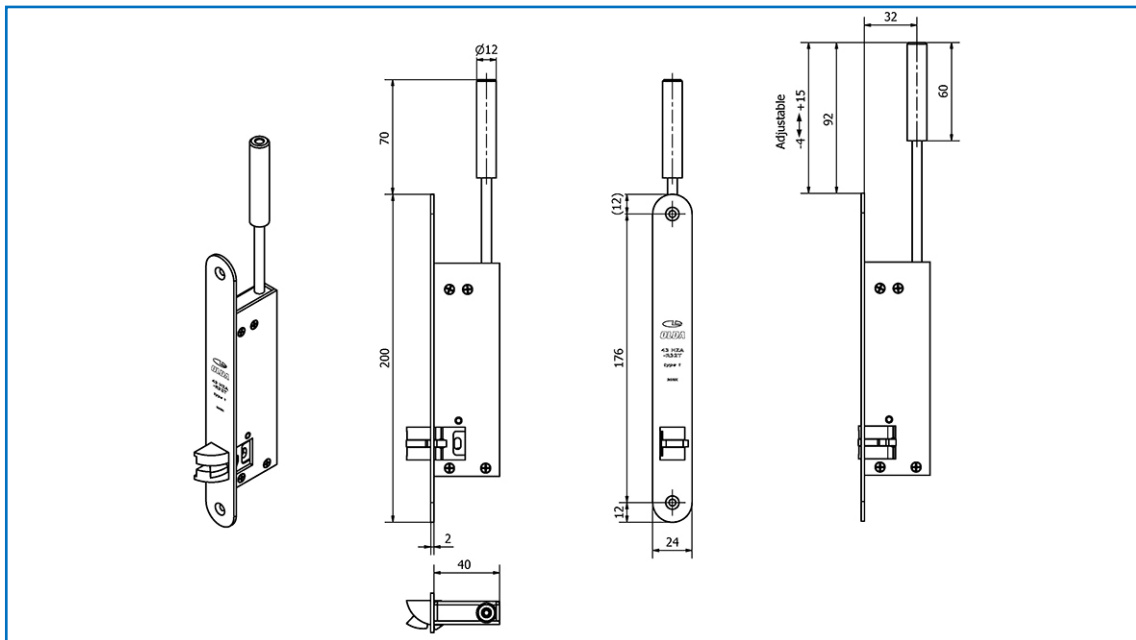
#### Warranty:

All mechanical "OLDA" branded products have a 36-month factory warranty.

#### Environment and quality:

RZ Olda Innovation AB works continuously with the improvement of our products' [environmental](#)- & quality performance, and are [ISO 9001 & 14001](#) certified.

**Automatic flush bolt 43 HZA-R32T type 1**



**Product documents:**

- [Dimensions](#)
- [Installation – with forend cut-out](#)
- [Installation – without forend cut-out](#)

**Product models – 3D:**

- [STEP](#)
- [DWG](#)
- [PDF – 3D](#)

**Product views – 2D:**

- [PDF](#)
- [DXF](#)
- [DWG](#)

**OLDA product links:**

- [Automatic flush bolts 43 HZA-R32T](#)
- [OLDA fittings school](#)
- [OLDA opening limiters & coordinators](#)