

Automatic flush bolt OLDA 43 HZA-32T type 2, bolt 60 mm



Function:

Automatic, single action flush bolt for non-spring-loaded bolting of passive door leaf in double doors.

Features:

OLDA 43 HZA-32T is bolted and unbolted automatically, has bolt \varnothing 12x60 mm, backset 32 mm and forend width 22 mm.

The \varnothing 12x60 mm bolt makes it suitable for integration with automatic drop seals, when there is a large gap between the door leaf and frame or sill and when a sill is not fitted.

Also available with a \varnothing 12x30 mm bolt.

Similar dimensions as manual flush bolt OLDA 33 HZM-32.

Usage:

Recessed into door of wood, steel or aluminium profiles, upper left and lower right, at the edge of passive door leaves.

Installation:

Fitted recessed at the edge of the door, either flush with cut-out or without cut-out for the forend. Fixed with two countersunk 3.5 x 16 mm screws.

Accessories:

Lock tube LT 12 (17x13) and guide tube GT 12 (\varnothing 12,5 mm) are fastened with two countersunk 3.5 x 16 mm screws. Strike plate SP 20 is fastened with two countersunk 4.2 x 16 mm screws.

Specification:

- Automatic, single action and non-spring-loaded bolt function
- Bolt:
 - length: 60 mm
 - diameter: 12 mm
 - projection: 22 mm
 - adjustability: - 4 / + 15 mm
- Rectangular electrozinc plated steel forend
- Product:
 - width: 22 mm
 - height: 200 + 70 mm
 - depth: 43 mm
 - forend thickness: 2 mm
- Backset including forend: 34 mm
- Material: steel
- Coating: electrozinc plating

Related products:

- Automatic flush bolts
 - 43 HZA-20T / -32T – 30/60 mm
 - 33 HZA-R32F - \varnothing 8, 10 & 12 mm
- Manual flush bolts
 - 33 HZM-20 / -32 – 30/60 mm
 - 33 HZM-R32 - \varnothing 8, 10 & 12 mm

Service:

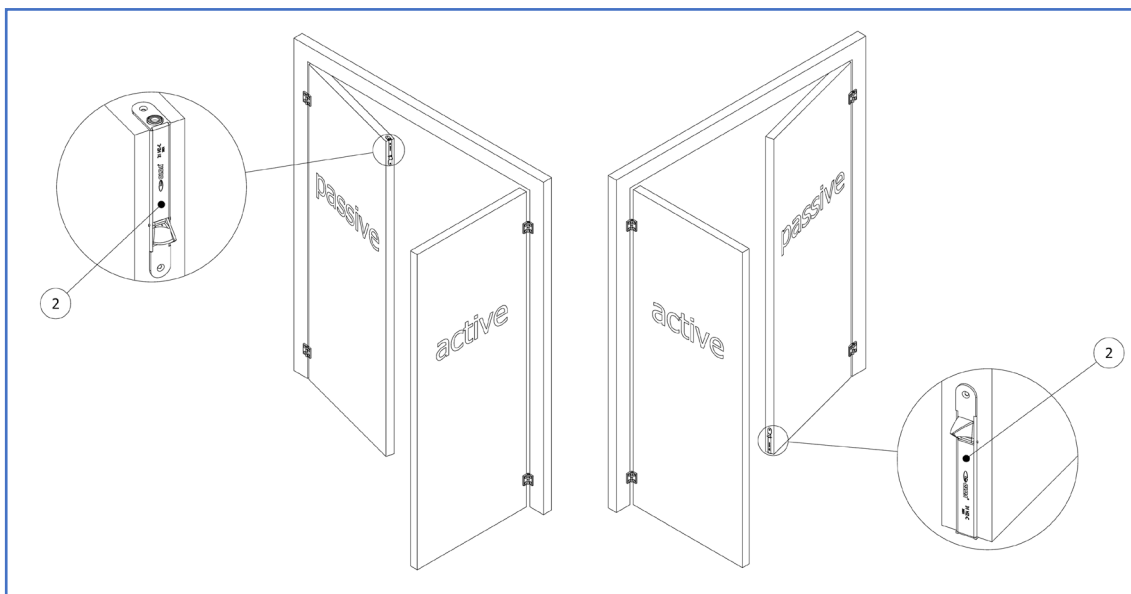
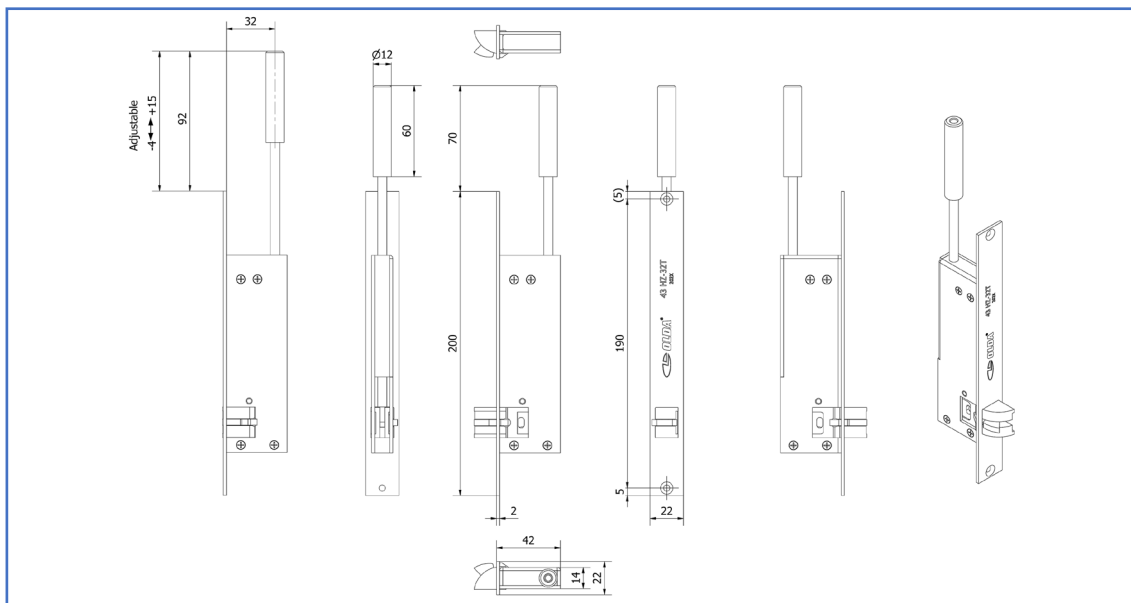
Function & system tests are recommended once or twice a year. Test, lubricate and adjust moving parts as needed.

In harsh environments or high frequent use should tests be made more often.

Warranty:

All mechanical “OLDA” branded products have a 36-month factory warranty.

Automatic flush bolt OLDA 43 HZA-32T type 2, bolt 60 mm



Product documents:

- [Dimensions](#)
- [Installation with forend cut-out](#)
- [Installation without forend cut-out](#)

Product models – 3D:

- [STEP](#)
- [DWG](#)
- [PDF – 3D](#)

Product views – 2D:

- [PDF](#)
- [DXF](#)
- [DWG](#)

OLDA product links:

- [Automatic flush bolt 43 HZA-32T](#)
- [Manual flush bolt 43 HZM-32](#)
- [Flush bolt accessories](#)
- [OLDA flush bolt guide](#)
- [OLDA fittings school](#)