

Automatic flush bolt OLDA 39 HZA type 1



Function:

Automatic, single action flush bolt for spring-loaded bolting of passive door leaf in double doors.

Features:

OLDA 39 HZA is bolted and unbolted automatically with a bolt diameter 10 mm, backset 11 mm and forend width 16 mm.

Usage:

To be recessed into doors of wood, steel or aluminium profiles without joint edges, lower left and upper right, at the edge of passive door leaves, also rebated versions.

Installation:

OLDA 39 HZA is fitted recessed in the edge of the door, either flush, with cut-out or without cut-out for the forend. Fixed with two countersunk 3.5 x 40 mm screws.

Accessories:

Lock plate LP 10 is fastened with four counter-sunk 3.5 x 16 mm screws.

Strike plate SP 10 is fastened with three 1 x 15 mm nails.

Strike plate SP 20 is fastened with two countersunk 4.2 x 16 mm screws.

Specification:

- Automatic, single action and spring-loaded bolt function
- Bolt:
 - diameter: 10 mm
 - projection: 15 mm
 - adjustability: 0 mm
- Square cornered electrozinc plated steel forend
- Product:
 - width: 16 mm
 - height: 188 mm
 - depth: 23/50 mm
 - forend thickness: 3 mm
- Backset including forend: 11 mm
- Material: steel
- Coating: electrozinc plating

Service:

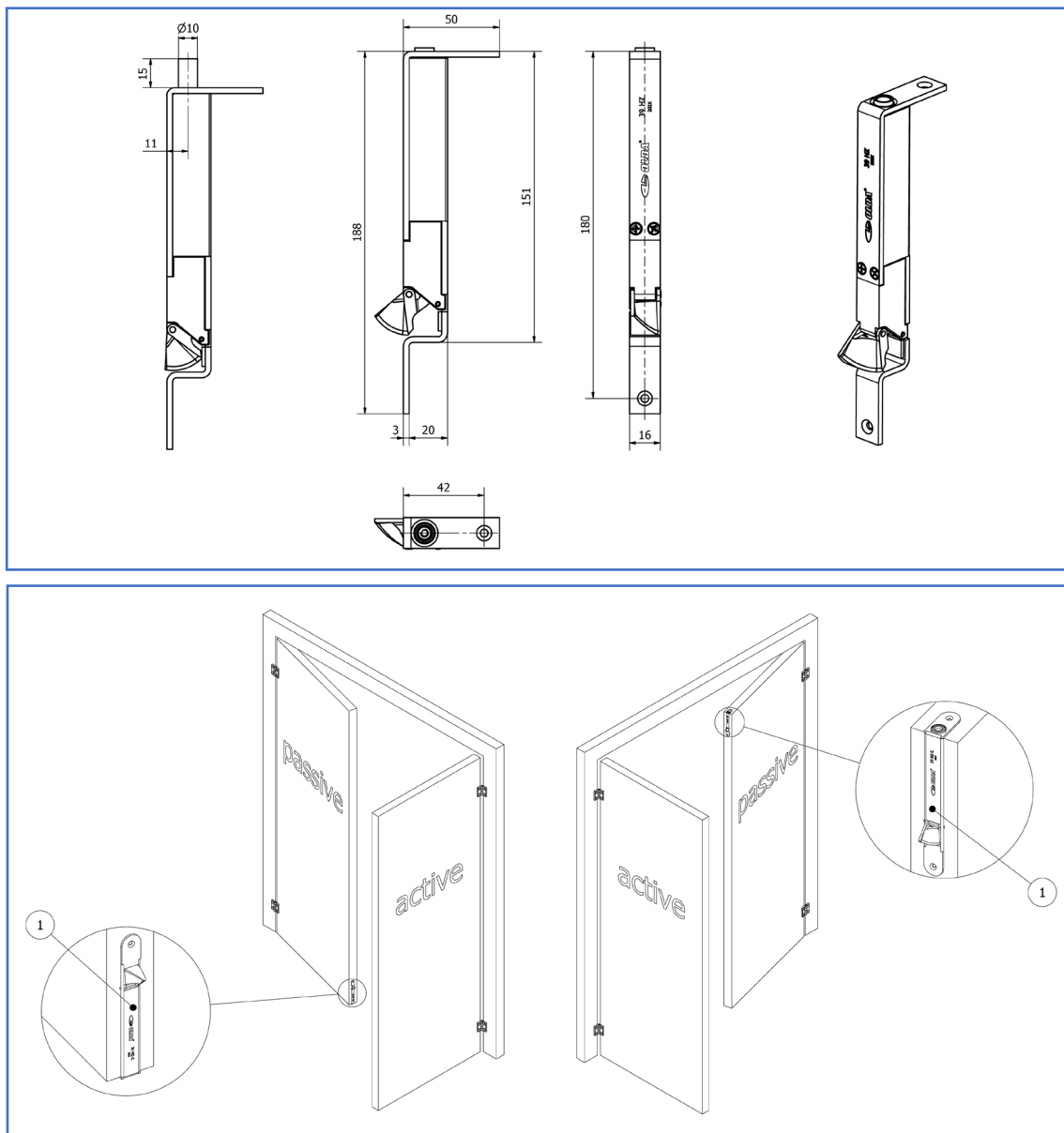
Function & system tests are recommended once or twice a year. Test, lubricate and adjust moving parts as needed.

In harsh environments or high frequent use should tests be made more often.

Warranty:

All mechanical "OLDA" branded products have a 36-month factory warranty.

Automatic flush bolt OLDA 39 HZA type 1



Product documents:

- [Dimensions](#)
- [Installation with forend cut-out](#)
- [Installation without forend cut-out](#)

Product views – 2D:

- [PDF](#)
- [DXF](#)
- [DWG](#)

Product models – 3D:

- [STEP](#)
- [DWG](#)
- [PDF – 3D](#)

OLDA product links:

- [Automatic flush bolt 39 HZA](#)
- [Flush bolt accessories](#)
- [OLDA flush bolt guide](#)
- [OLDA fittings school](#)