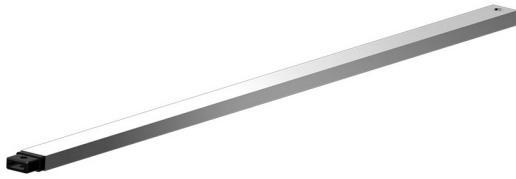
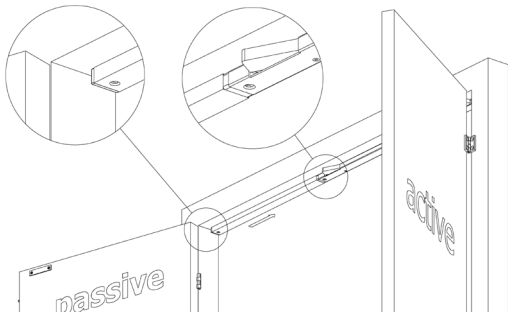


Extension profile OLDA 39 DK



Function:

Extension profile OLDA 39 DK is used to fill the cavity under the remaining part of the top frame in conjunction with installation of door coordinator 30 DK.



Features:

OLDA 39 DK has the same dimensions as 30 DK, i.e. depth 40 mm and height 20 mm.

It has a standard length of 1 metre and is cut to fit during installation of 30 DK. Also included is an adapter that fits OLDA 30 DK.

Manufactured in steel, available in electrozinc plating or powder coating grey.

Usage:

Fits both double doors with the active door leaf to the right and to the left, by turning it around.

Installation:

OLDA 39 DK is cut to the desired length, connected to 30 DK with the included adapter and fitted below the top frame top with a countersunk 6.3 x 38 mm screw at the end of the extension profile.

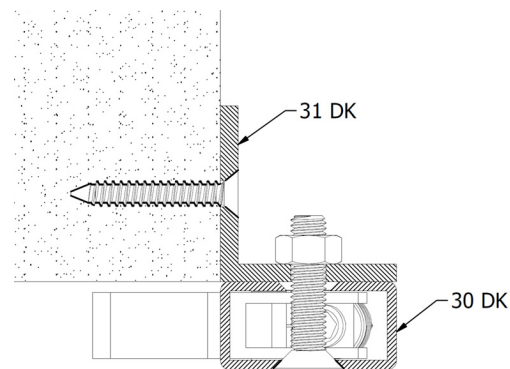
Specification:

- Profile:
 - length: 1000 mm
 - depth: 40 mm
 - height: 20 mm
- Adapter:
 - thickness: 10 mm
 - material: plastic (POM)
 - colour: black
- Material: steel
- Coating:
 - electrozinc plating
 - grey powder coating – RAL 9006

Complementary products:

Door coordinators OLDA 30 DK-850 and 30 DK-1150 fits with 39 DK.

Bracket 31 DK can also be used if you want to install OLDA 30 & 39 DK behind the top door frame.



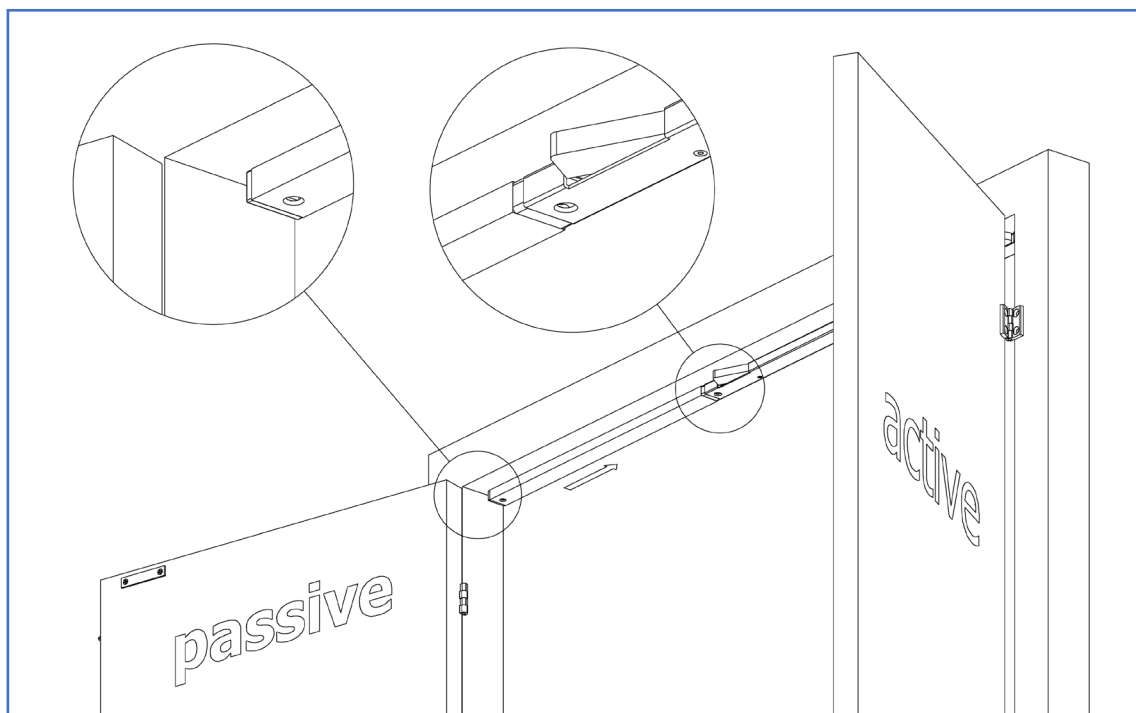
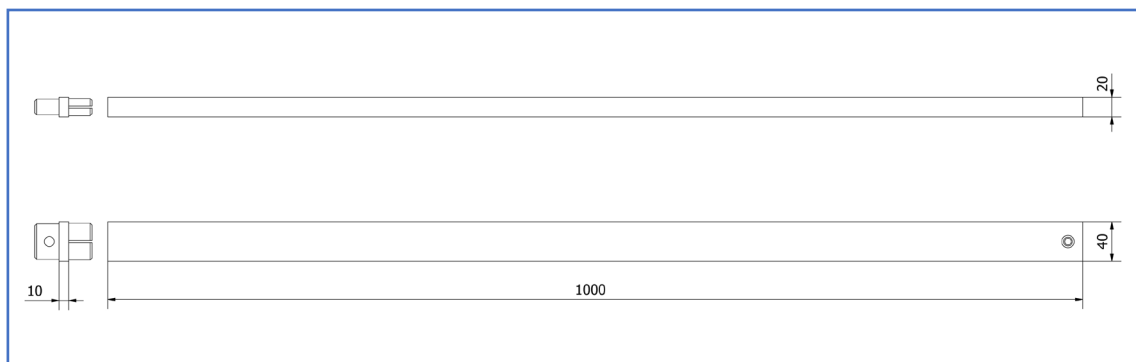
Service:

Function tests are recommended once or twice a year. Test and clean as needed.

Warranty:

All mechanical "OLDA" branded products have a 36-month factory warranty.

Extension profile OLDA 39 DK



Product documents:

- [Dimensions](#)
- [Installation](#)

Product models – 2D:

- [PDF](#)
- [DXF](#)
- [DWG](#)

Product models – 3D:

- [STEP](#)
- [DWG](#)
- [PDF – 3D](#)

OLDA product links:

- [Extension profile 39 DK](#)
- [Flush bolt accessories](#)
- [OLDA flush bolts](#)
- [OLDA fittings school](#)