

## Manual flush bolt OLDA 36 HZM-DS



### Function:

Manual, single action flush bolt for non spring-loaded bolting of passive door leaf in double doors.

### Features:

OLDA 36 HZM-DS is bolted and unbolted manually, has bolt  $\varnothing 8 \times 50$  mm, back-set 12 mm and forend width 18 mm.

The bolt makes it suitable for integration with automatic drop seals, when there is a large gap between the door leaf and frame or sill and when a sill is not fitted.

Similar dimensions as automatic flush bolt OLDA 34 HZA-DS.

### Usage:

Recessed into door of wood, steel or aluminium profiles, lower and/or upper, at the edge of passive door leaves, also rebated.

### Installation:

Fitted recessed at the edge of the door, either flush with cut-out or without forend cut-out. Fixed with three countersunk 3.5 x 40 mm screws.

### Accessories:

Guide tube GT 8 (12) and lock tube LT 8 (13x9) are possible to use.

### Specification:

- Manual, single action and non spring-loaded bolt function
- Bolt:
  - length: 50 mm
  - diameter: 8 mm
  - projection: 20 mm
  - adjustability: - 3 / + 11 mm
- Round electrozinc plated steel forend
- Product:
  - width: 18 mm
  - height: 189 + 50 mm
  - depth: 19 mm
  - forend thickness: 3 mm
- Backset including forend: 12 mm
- Material: steel
- Coating: electrozinc plating

### Related products:

- Automatic flush bolts
  - 34 HZA-DS
  - 43 HZA-20T / -32T – 30/60 mm
  - 33 HZA-R32F -  $\varnothing 8, 10$  & 12 mm
- Manual flush bolts
  - 34 HZM-DS
  - 33 HZM-20 / -32 – 30/60 mm
  - 33 HZM-R32 -  $\varnothing 8, 10$  & 12 mm

### Service:

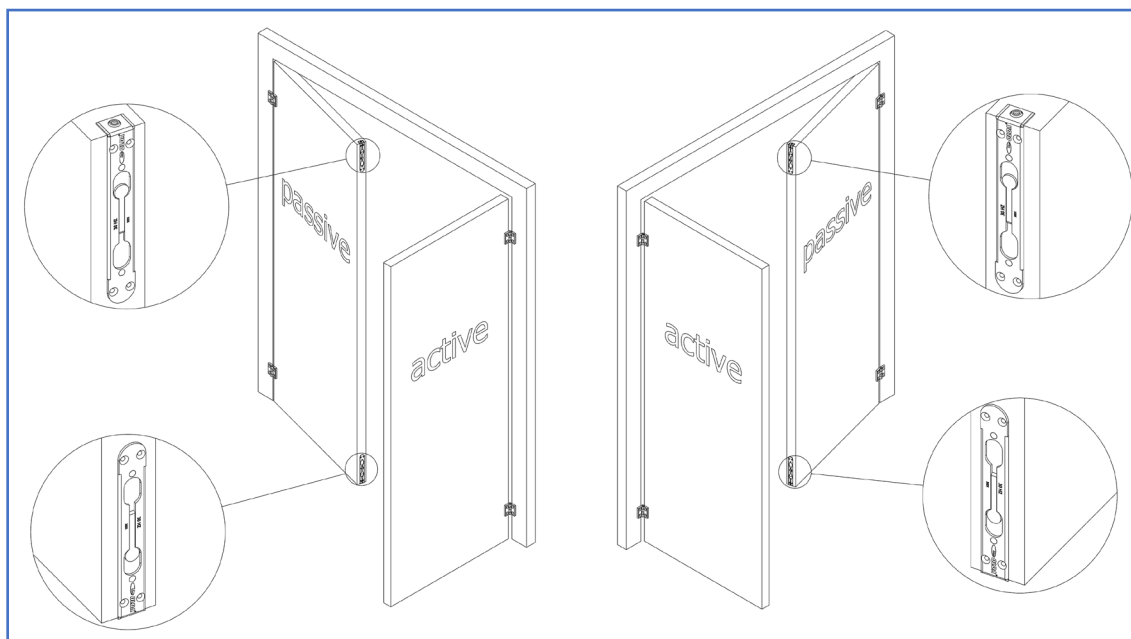
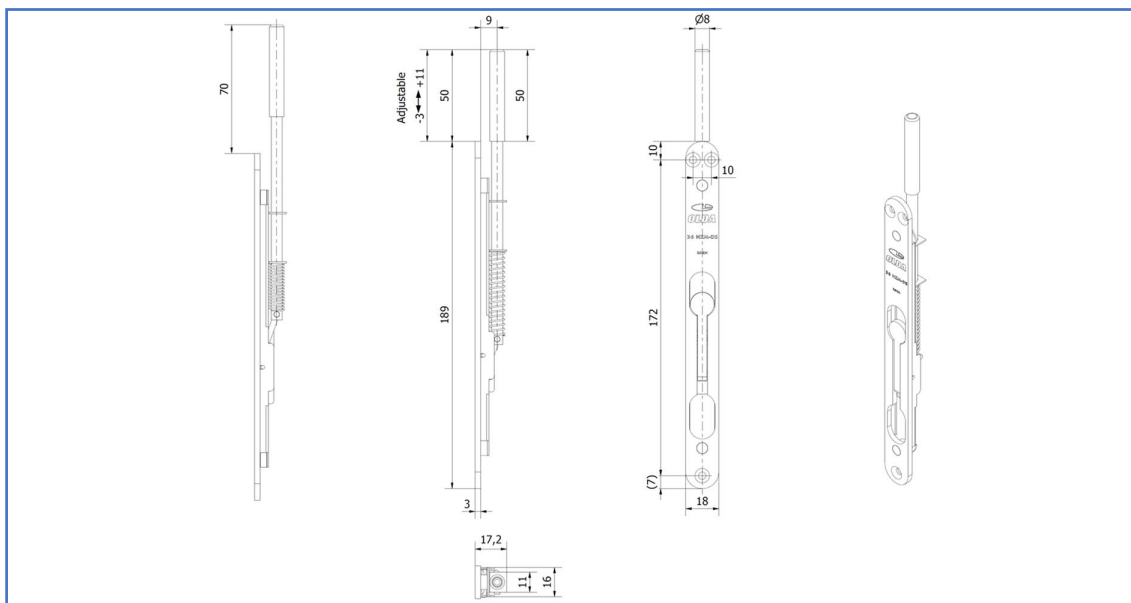
Function & system tests are recommended once or twice a year. Test, lubricate and adjust moving parts as needed.

In harsh environments or high frequent use, tests should be made more often.

### Warranty:

All mechanical “OLDA” branded products have a 36-month factory warranty.

### Manual flush bolt OLDA 36 HZM-DS



#### Product documents:

- [Dimensions](#)
- [Installation with forend cut-out](#)
- [Installation without forend cut-out](#)

#### Product models – 3D:

- [STEP](#)
- [DWG](#)
- [PDF – 3D](#)

#### Product views – 2D:

- [PDF](#)
- [DXF](#)
- [DWG](#)

#### OLDA product links:

- [Manual flush bolt 36 HZM-DS](#)
- [Automatic flush bolt 34 HZA-DS](#)
- [Flush bolt accessories](#)
- [OLDA flush bolt guide](#)
- [OLDA fittings school](#)