

Semi-automatic flush bolt OLDA 35 HZS type 1



Function:

Semi-automatic, single action flush bolt for bolting of passive door leaf in double doors.

Features:

OLDA 35 HZS is bolted automatically when the passive door leaf closes and unbolted manually, has bolt 15x17 mm and forend width 18 mm.

Same dimensions as automatic flush bolt OLDA 34 HZA and OLDA 37 HZA.

Usage:

To be recessed upper right into doors of wood, steel or aluminium profiles without joint edges at the edge of passive door leaves, also rebated versions.

At activation, the bevelled bolt slides against the bottom of the lock plate and is retracted into the flush bolt until the bolt reaches the square hole and is projected again, at which point the bolting is complete. The unbolting is then made manually by using the finger grip.

Two bolting points are achieved using OLDA 35 HZS at the top and 34 HZA at the bottom.

Installation:

OLDA 35 HZS projects to its full height and is fitted recessed at the edge of the door, either flush with cut-out or without cut-out for the forend. Fixed with four countersunk 3.5 x 40 mm screws.

Accessories:

Lock plate LP 30 is designed for 35 HZS, fastened 8/10/12 or 14 mm from the edge with four countersunk 3.5 x 16 mm screws.

Specification:

- Semi-automatic, single action bolt function
- Rectangular bolt:
 - Depth x width: 15 x 17 mm
 - projection: 14 mm
 - adjustability: 0 mm
- Round electrozinc plated steel forend
- Product:
 - width: 18 mm
 - height: 190 mm
 - depth: 23/50 mm
 - forend thickness: 3 mm
- Material: steel
- Coating: electrozinc plating

Related products, forend width 18 mm:

- Automatic flush bolts
 - 34 HZA type 1 & 2
 - 37 HZA type 1 & 2

Service:

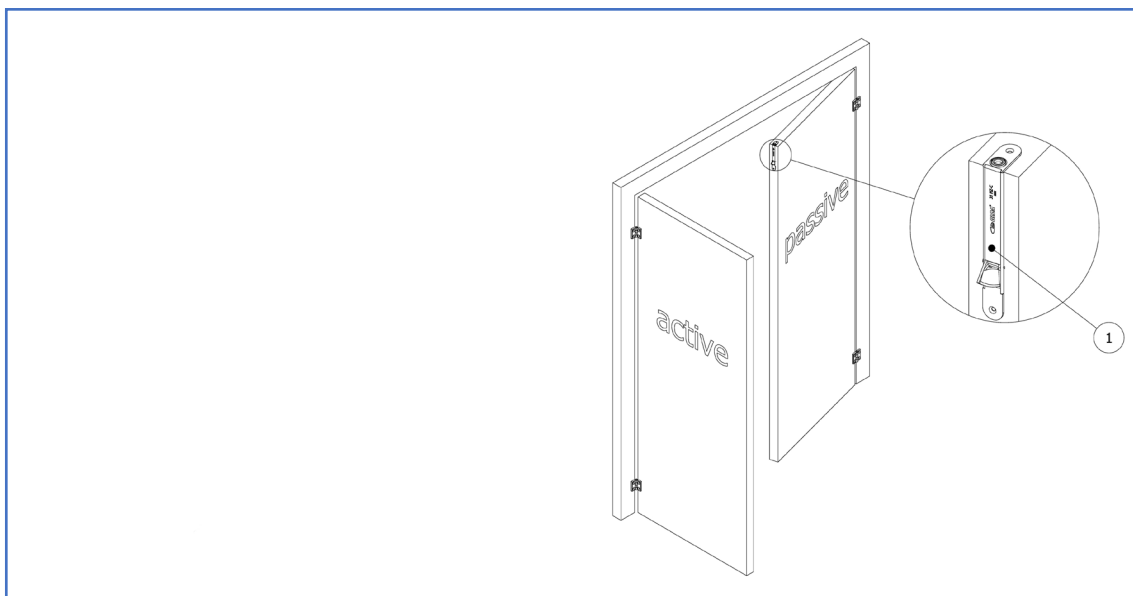
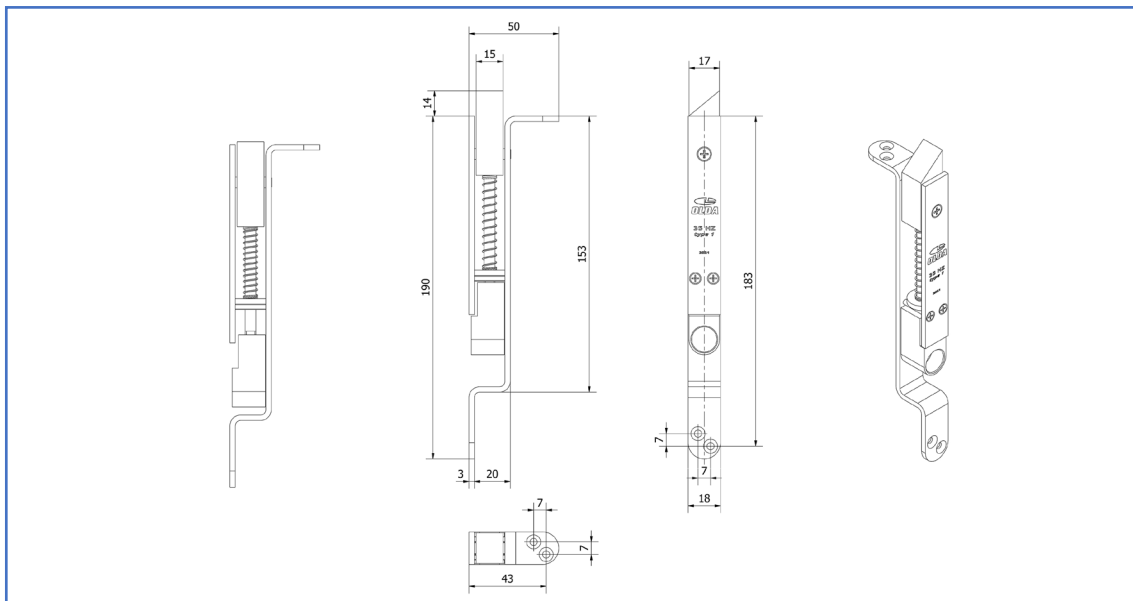
Function & system tests are recommended once or twice a year. Test, lubricate and adjust moving parts as needed.

In harsh environments or high frequent use should tests be made more often.

Warranty:

All mechanical "OLDA" branded products have a 36-month factory warranty.

Semi-automatic flush bolt OLDA 35 HZS type 1



Product documents:

- [Dimensions](#)
- [Installation with forend cut-out](#)
- [Installation without forend cut-out](#)

Product views – 2D:

- [PDF](#)
- [DXF](#)
- [DWG](#)

Product models – 3D:

- [STEP](#)
- [DWG](#)
- [PDF – 3D](#)

OLDA product links:

- [Semi-automatic flush bolt 35 HZS](#)
- [Flush bolt accessories](#)
- [OLDA flush bolt guide](#)
- [OLDA fittings school](#)