

## Manual flush bolt OLDA 33 HZM-R32, bolt Ø 12 mm



### Function:

Manual, single action flush bolt for non-spring-loaded bolting of passive door leaf in double doors.

### Features:

OLDA 33 HZM-R32 is bolted and unbolted with a lever mechanism, has bolt diameter 12 mm, backset 32 mm and forend width 22 mm.

The 60 mm long bolt makes it suitable for integration with automatic drop seals, when there is a large gap between the door leaf and frame or sill and when a sill is not fitted.

Similar dimensions as automatic flush bolt OLDA 33 HZA-R32F.

### Usage:

Recessed into door of wood, steel or aluminium profiles, both up and/or down, at the edge of passive door leaves.

### Installation:

Fitted recessed at the edge of the door, either flush with cut-out or without cut-out for the forend. Fixed with two countersunk 4 x 20 mm screws.

### Accessories:

Lock tube LT 12 (17x13) and guide tube GT 12 are fastened with two countersunk 3.5 x 16 mm screws.

### Specification:

- Manual, single action and non-spring-loaded bolt function
- Bolt:
  - Length: 60 mm
  - diameter: 12 mm
  - projection: 18 mm
  - adjustability: - 7 / + 10 mm
- Round stainless steel forend
- Product:
  - width: 22 mm
  - height: 200 + 82 mm
  - depth: 43 mm
  - forend thickness: 2 mm
- Backset including forend: 34 mm
- Material: steel
- Coating: electrozinc plating

### Related products:

- Automatic flush bolts
  - 43 HZA-20T / -32T – 30/60 mm
  - 33 HZA-R32F - Ø 8, 10 & 12 mm
- Manual flush bolts
  - 33 HZM-20 / -32 – 30/60 mm
  - 33 HZM-R32 - Ø 8, 10 & 12 mm

### Service:

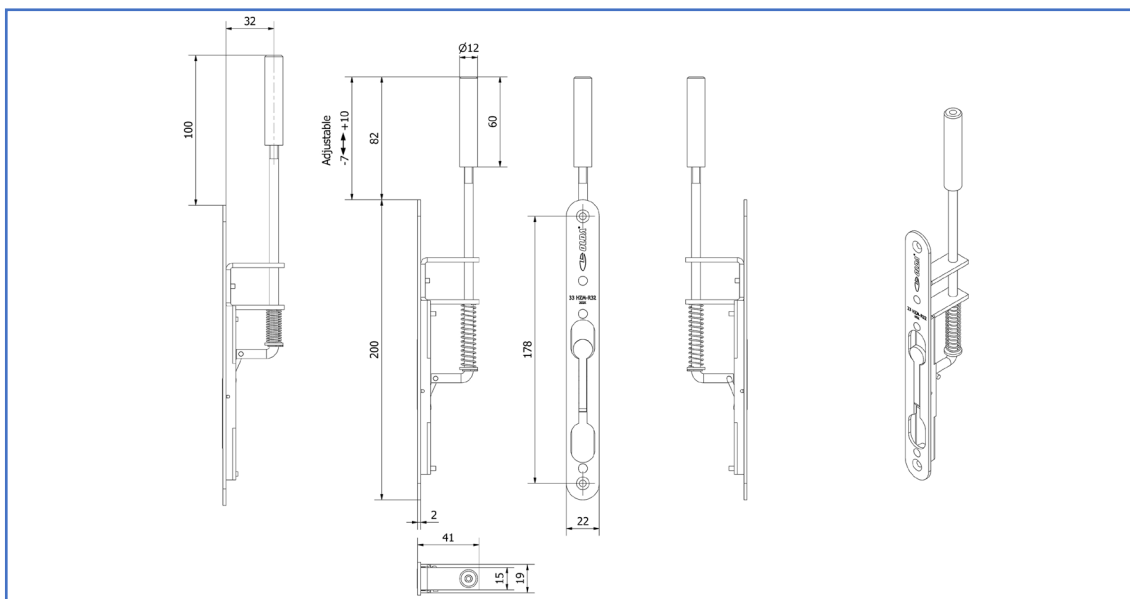
Function & system tests are recommended once or twice a year. Test, lubricate and adjust moving parts as needed.

In harsh environments or high frequent use should tests be made more often.

### Warranty:

All mechanical “OLDA” branded products have a 36-month factory warranty.

**Manual flush bolt OLDA 33 HZM-R32, bolt Ø 12 mm**



**Product documents:**

- [Dimensions](#)
- [Installation with forend cut-out](#)
- [Installation without forend cut-out](#)

**Product models – 3D:**

- [STEP](#)
- [DWG](#)
- [PDF – 3D](#)

**Product views – 2D:**

- [PDF](#)
- [DXF](#)
- [DWG](#)

**OLDA product links:**

- [Manual flush bolt 33 HZM-R32](#)
- [Automatic flush bolt 33 HZA-R32F](#)
- [Flush bolt accessories](#)
- [OLDA flush bolt guide](#)
- [OLDA fittings school](#)