

Manual flush bolt OLDA 33 HZM-32, bolt 30 mm



Function:

Manual, single action flush bolt for non-spring-loaded bolting of passive door leaf in double doors.

Features:

OLDA 33 HZM-32 is bolted and unbolted with a lever mechanism, has bolt 12x30 mm, backset 32 mm and forend width 22 mm.

A version with \varnothing 12x60 mm bolt makes it suitable for integration with automatic drop seals, when there is a large gap between the door leaf and frame or sill and when a sill is not fitted.

Similar dimensions as automatic flush bolt OLDA 43 HZA-32T.

Usage:

Recessed into door of steel or aluminium profiles, both up and/or down, at the edge of passive door leaves.

Installation:

Fitted recessed at the edge of the door, either flush with cut-out or without cut-out for the forend. Fixed with two countersunk 3.5 x 16 mm screws.

Accessories:

Lock tube LT 12 (17x13) and guide tube GT 12 (\varnothing 12,5 mm) are fastened with two countersunk 3.5 x 16 mm screws.

Specification:

- Manual, single action and non-spring-loaded bolt function
- Bolt:
 - length: 30 mm
 - diameter: 12 mm
 - projection: 20 mm
 - adjustability: - 7 / + 7 mm
- Rectangular electrozinc plated steel forend
- Product:
 - width: 22 mm
 - height: 200 + 70 mm
 - depth: 42 mm
 - forend thickness: 3 mm
- Backset including forend: 35 mm
- Material: steel
- Coating: electrozinc plating

Related products:

- Automatic flush bolts
 - 43 HZA-20T / -32T – 30/60 mm
 - 33 HZA-R32F - \varnothing 8, 10 & 12 mm
- Manual flush bolts
 - 33 HZM-20 / -32 – 30/60 mm
 - 33 HZM-R32 - \varnothing 8, 10 & 12 mm

Service:

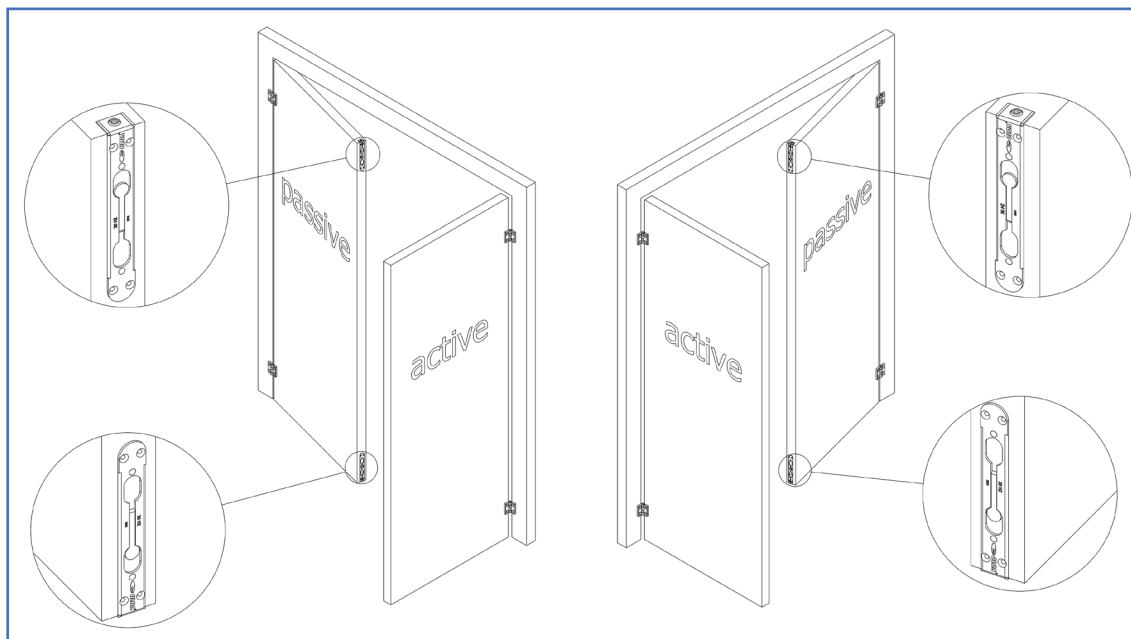
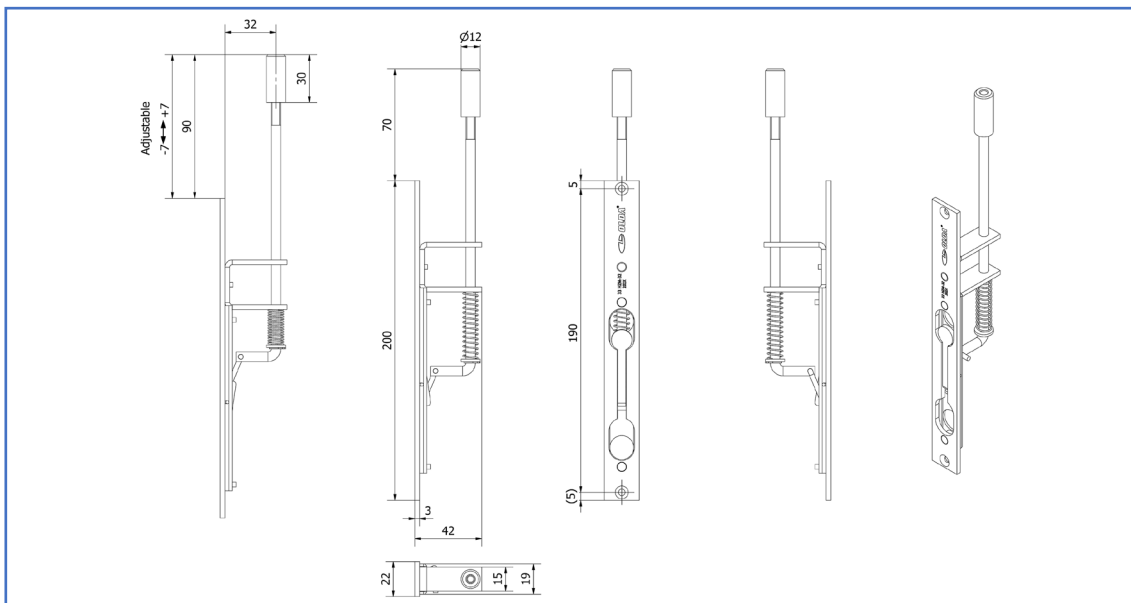
Function & system tests are recommended once or twice a year. Test, lubricate and adjust moving parts as needed.

In harsh environments or high frequent use should tests be made more often.

Warranty:

All mechanical “OLDA” branded products have a 36-month factory warranty.

Manual flush bolt OLDA 33 HZM-32, bolt 30 mm



Product documents:

- [Dimensions](#)
- [Installation with forend cut-out](#)
- [Installation without forend cut-out](#)

Product views – 2D:

- [PDF](#)
- [DXF](#)
- [DWG](#)

Product models – 3D:

- [STEP](#)
- [DWG](#)
- [PDF – 3D](#)

OLDA product links:

- [Manual flush bolt 33 HZM-32](#)
- [Automatic flush bolt 43 HZA-32T](#)
- [Flush bolt accessories](#)
- [OLDA flush bolt guide](#)
- [OLDA fittings school](#)