

Manual flush bolt OLDA 33 HZM-10, bolt 30 mm



Product-ID: 11-033-0003-1101

GTIN: 7340171406137

Function:

Manual, single action flush bolt for non-spring-loaded bolting of passive door leaf in double doors.

Features:

OLDA 33 HZM-10 is bolted and unbolted with a lever mechanism, has \varnothing 12x30 mm bolt, 10 mm backset and 22 mm forend width.

Usage:

Recessed into door of steel or aluminium profiles, both up and/or down, at the edge of passive door leaves.

Installation:

Fitted recessed at the edge of the door, either flush with cut-out or without cut-out for the forend. Fixed with two countersunk 3,5 x 9,5 mm screws.

Accessories:

Lock tube LT 12 (17x13) is fastened with two countersunk 3.5 x 16 mm screws.

Specification:

- Manual, single action and non-spring-loaded bolt function
- Bolt:
 - diameter: 12 mm
 - projection: 20 mm
 - length: 30 mm
 - adjustability: -7 / +7 mm
- Rectangular electro zinc plated forend in steel
- Product:
 - width: 22 mm
 - height: 200 + 70 mm
 - depth: 20 mm
 - forend thickness: 3 mm
- Backset including forend: 13 mm
- Material: steel
- Coating: electro zinc plating

Related products:

Available with 60 mm bolt with increased adjustability, enabling use with large door leaf and frame/sill gaps, as well as automatic drop seals integration.

Product guides:

[OLDA flush bolts](#)

[OLDA accessories](#)

Service:

Function-/system tests are recommended one or twice a year. Lubricate and adjust moving parts as needed, and test more often in harsh environments.

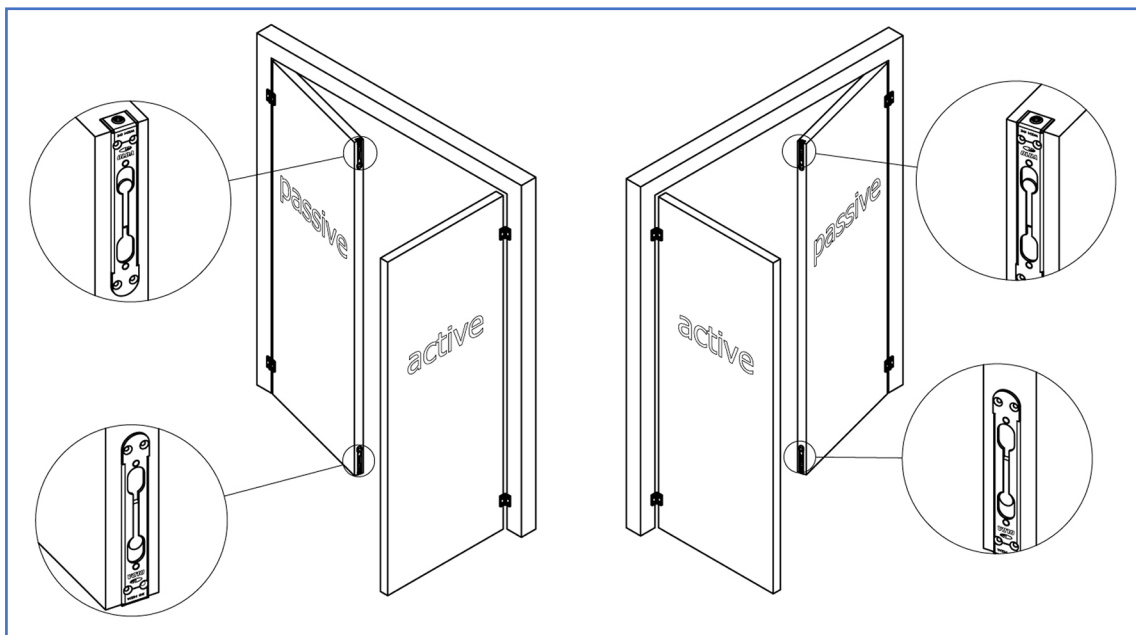
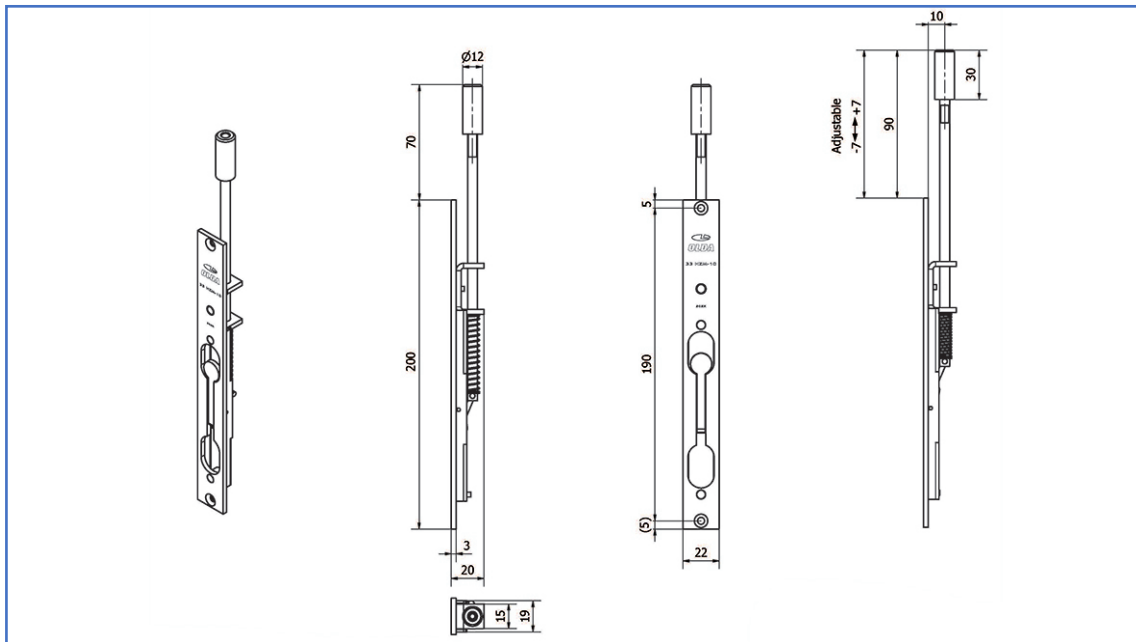
Warranty:

All mechanical "OLDA" branded products have a 36-month factory warranty.

Environment and quality:

RZ Olda Innovation AB works continuously with the improvement of our products' [environmental](#)- & quality performance, and are [ISO 9001 & 14001](#) certified.

Manual flush bolt OLDA 33 HZM-10, bolt 30 mm



Product documents:

- [Dimensions](#)
- [Installation with forend cut-out](#)
- [Installation without forend cut-out](#)

Product models – 3D:

- [STEP](#)
- [DWG](#)
- [PDF – 3D](#)

Product views – 2D:

- [PDF](#)
- [DXF](#)
- [DWG](#)

OLDA product links:

- [Manual flush bolt 33 HZM-10](#)
- [OLDA fittings school](#)
- [OLDA opening limiters & coordinators](#)