

Automatic flush bolt OLDA 33 HZA-10F type 2



Function:

Automatic, single action flush bolt for spring-loaded bolting of passive door leaf in double doors.

Features:

OLDA 33 HZA-10F is bolted and unbolted automatically, has bolt diameter 12 mm, backset 10 mm and forend width 24 mm.

OLDA 33 HZA-30F, a version with backset 30 mm is also available.

Usage:

Recessed into door of steel or aluminium profiles, upper left and lower right, at the edge of passive door leaves.

Installation:

Fitted recessed at the edge of the door, either flush with cut-out or without cut-out for the forend.

Fixed with two countersunk 3.5 x 6.5 mm screws.

Accessories:

Lock tube LT 12 (17x13) is fastened with two countersunk 3.5 x 16 mm screws.

Strike plate SP 20 is fastened with two countersunk 4.2 x 16 mm screws.

Specification:

- Automatic, single action and spring-loaded bolt function
- Bolt:
 - length: 32 mm
 - diameter: 12 mm
 - projection: 16 mm
 - adjustability: - 8 / + 10 mm
- Rectangular stainless steel forend
- Product:
 - width: 24 mm
 - height: 193 + 68 mm
 - depth: 22 mm
 - forend thickness: 2 mm
- Backset including forend: 12 mm
- Material: steel
- Coating: electrozinc plating

Related products:

- Automatic flush bolts
 - OLDA 33 HZA-10F
 - OLDA 33 HZA-10F

Complementary products:

Stainless steel dust-excluding floor sockets FS 12/15 for screw fitting, and FS R12/R15 versions mainly intended to be glued directly into the floor.

Service:

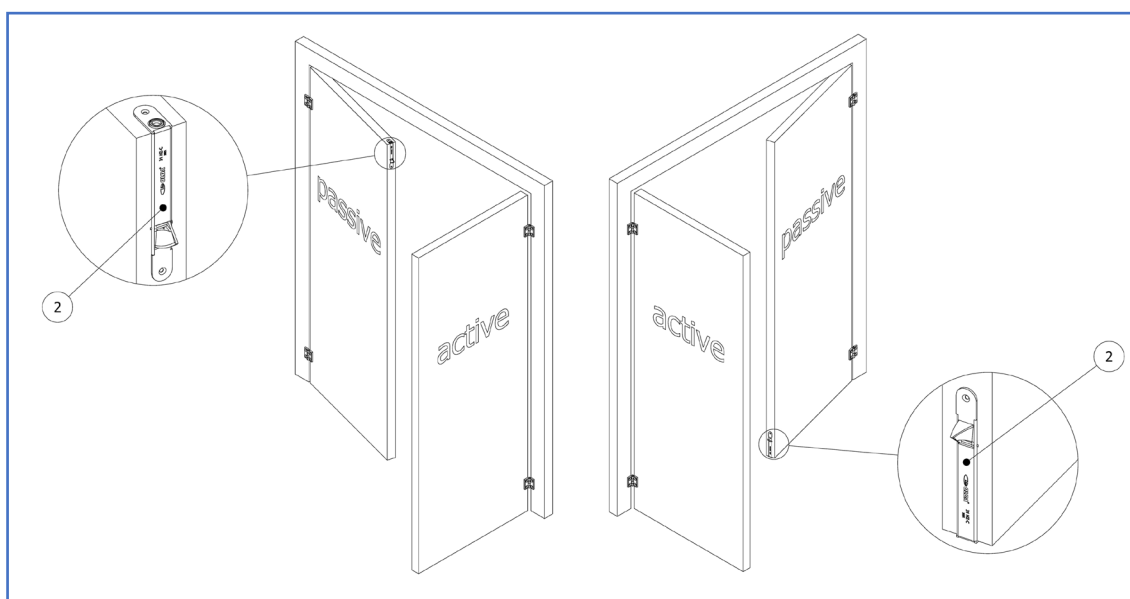
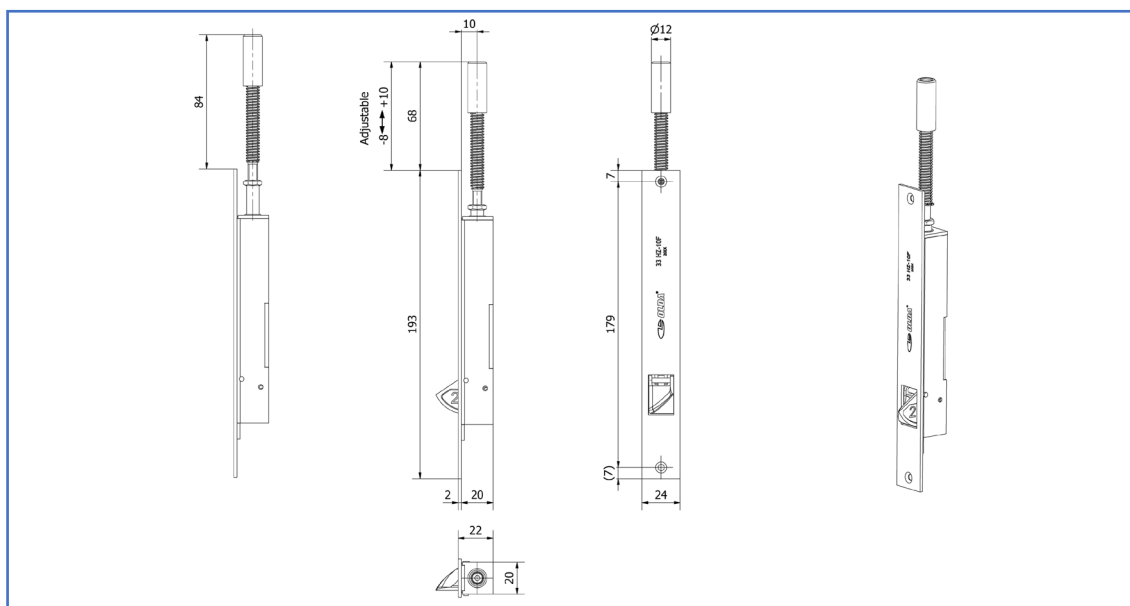
Function & system tests are recommended once or twice a year. Test, lubricate and adjust moving parts as needed.

In harsh environments or high frequent use should tests be made more often.

Warranty:

All mechanical "OLDA" branded products have a 36-month factory warranty

Automatic flush bolt OLDA 33 HZA-10F type 2



Product documents:

- [Dimensions](#)
- [Installation with forend cut-out](#)
- [Installation without forend cut-out](#)

Product models – 3D:

- [STEP](#)
- [DWG](#)
- [PDF – 3D](#)

Product views – 2D:

- [PDF](#)
- [DXF](#)
- [DWG](#)

OLDA product links:

- [Automatic flush bolt 33 HZA-10F](#)
- [Flush bolt accessories](#)
- [OLDA flush bolt guide](#)
- [OLDA fittings school](#)