

## Door coordinator OLDA 30 DK-850 & 30 DK-1150



### Function:

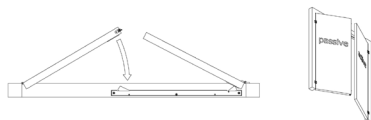
Coordinates double doors, so that the passive door leaf closes before the active. This is a requirement for automatic flush bolts, most locks and rebated door leaves.

- active door leaf: normally used for passage in a double door
- passive door leaf: bolted with a flush bolt.

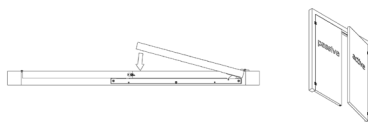
### Features:

Door selector 30 DK ensures that the door leaves close in the correct order by:

1. active door leaf is prevented from closing by the coordinator's spring loaded stop latch



2. hence, the passive door leaf closes first



3. and the coordinator releases the active door leaf



Manufactured in electrozinc plated or powder coated (grey) steel. Other colours available by request.

The door selector OLDA 30 DK is available in two lengths with c-c distance of either 850 or 1150 mm between latches.

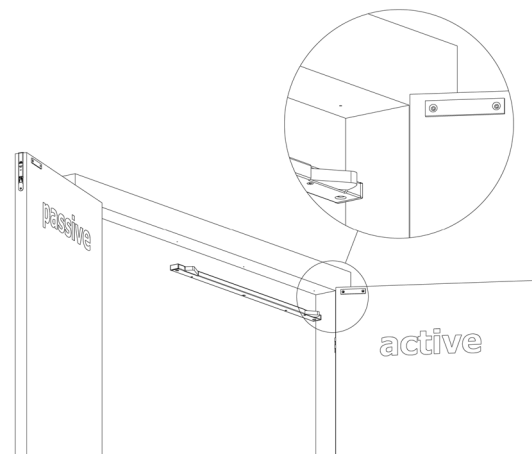


When the stop latch obstructs the active door leaf at a sufficient angle – the other latch must reach in front of the passive door leaf in order to release the coordinator.

### Usage:

Fits double doors with right- and left active door leaves by turning the coordinator 30 DK around. Intended for inner doors.

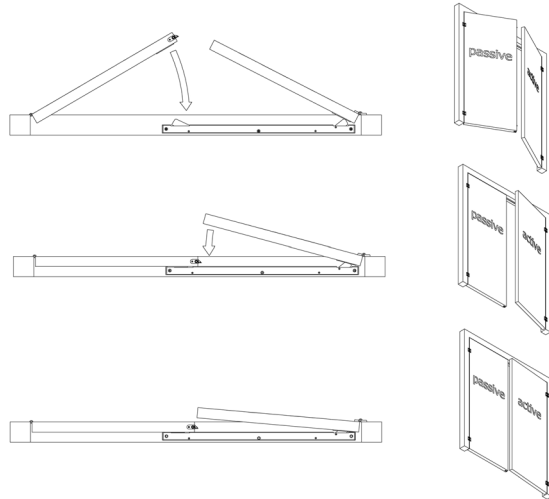
### Installation:



- maximum frame width 1530 mm
  - door coordinator 30 DK-850
- maximum frame width 2130 mm
  - door coordinator 30 DK-1150
- take into account if one door-leaf is shorter than the other

The position of the fitting needs to be tested out, close to the hinge of the active door leaf, so that the stop latch blocks the door leaf in the required angle – to allow the passive door leaf to pass.

OLDA 30 DK is fitted beneath the top frame and is fixed by three countersunk 6.3 x 38 mm screws.



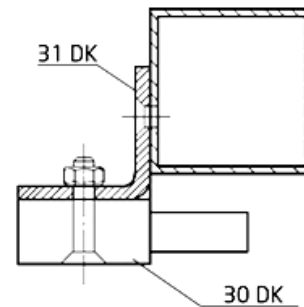
If a door closer is used, its power needs to be optimized to achieve a smooth and safe interaction with the door leaf, hinges and coordinator.

**Specification:**

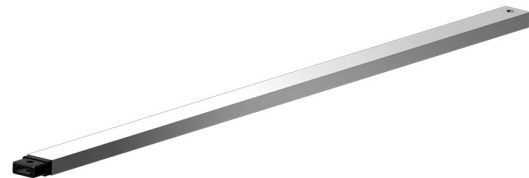
- OLDA 30 DK-850:
  - length: 950 mm
  - depth: 40 mm
  - height: 20 mm
- OLDA 30 DK-1150:
  - length: 1250 mm
  - depth: 40 mm
  - height: 20 mm
- Stop latch:
  - protrusion: ca. 29 mm
  - edge distance: 53 mm
  - elasticity: max 9 mm
- Material: steel
- Coating:
  - electrozinc plating
  - grey powder coat – RAL 9006
  - others – by request

**Complementary products:**

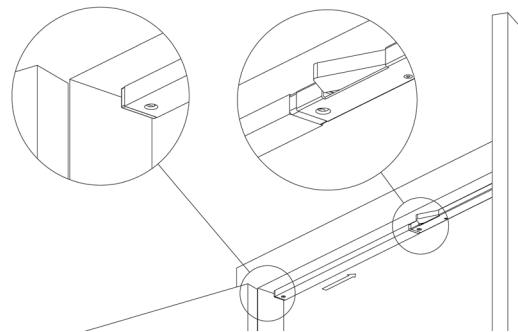
OLDA 30 DK can also be fitted behind the top frame by using bracket OLDA 31 DK.



To fill out the remainder of the top frame, length extension profile OLDA 39 DK is available.



It has a length of one meter and is cut to suitable size when installing it together with coordinator 30 DK.



**Service:**

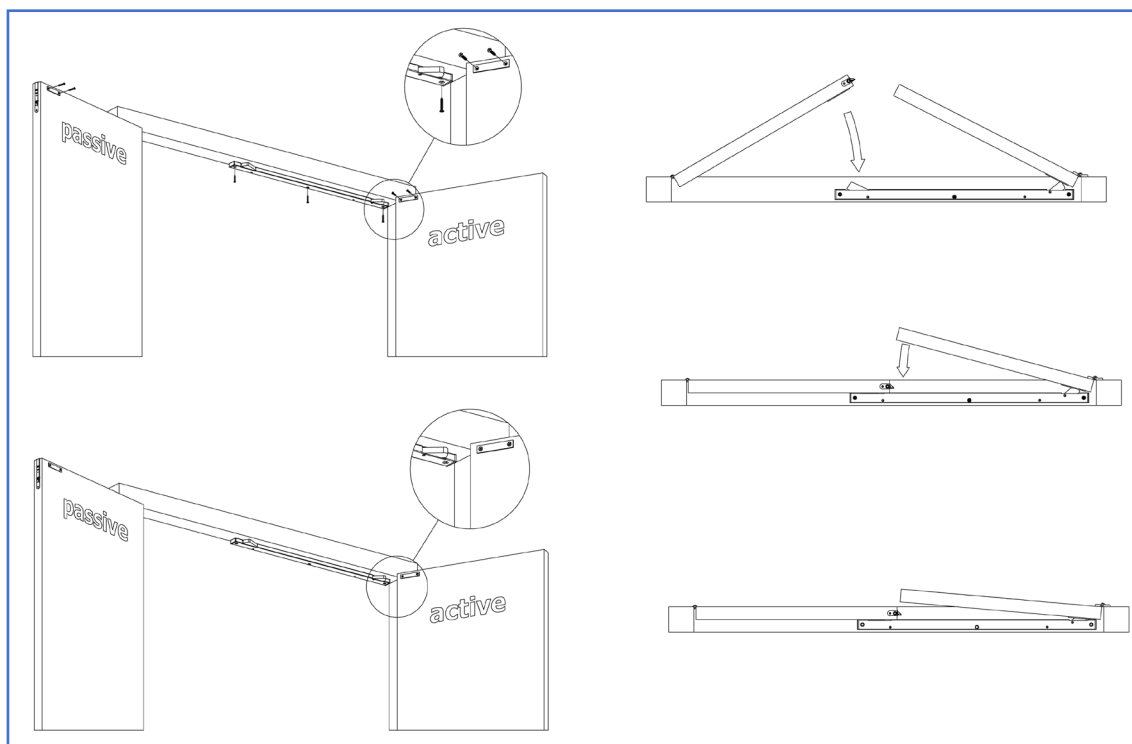
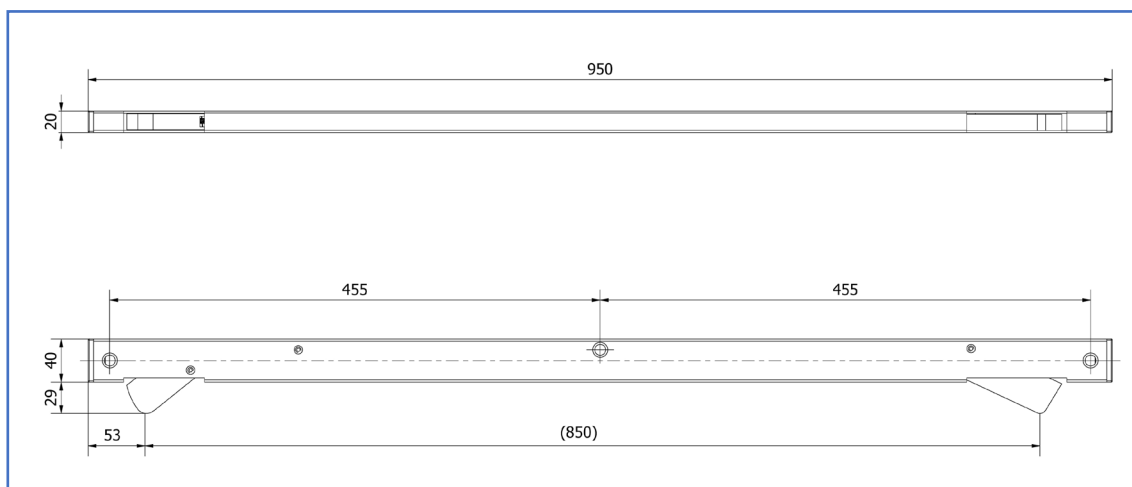
Function & system tests are recommended once or twice a year. Test, lubricate and adjust moving parts as needed.

In harsh environments or high frequent use should tests be made more often.

**Warranty:**

All mechanical “OLDA” branded products have a 36-month factory warranty.

**Door coordinator OLDA 30 DK-850**



**Product document:**

- [Dimensions](#)
- [Installation](#)

**Product models – 2D:**

- [PDF](#)
- [DXF](#)
- [DWG](#)

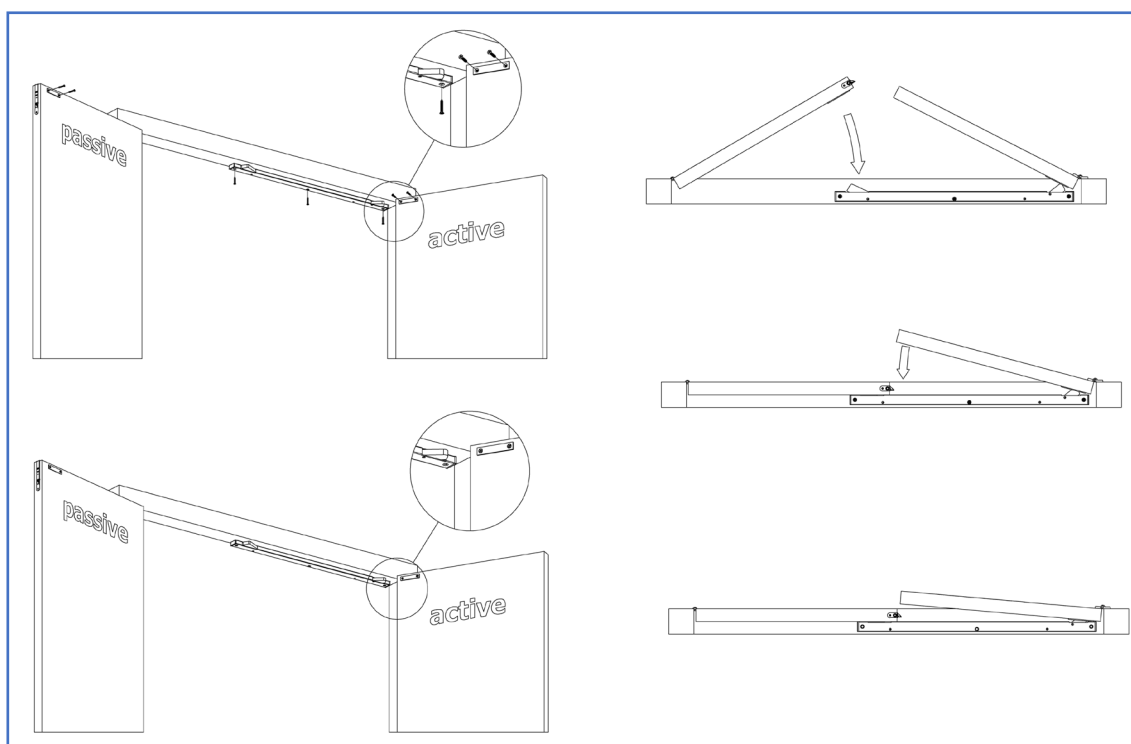
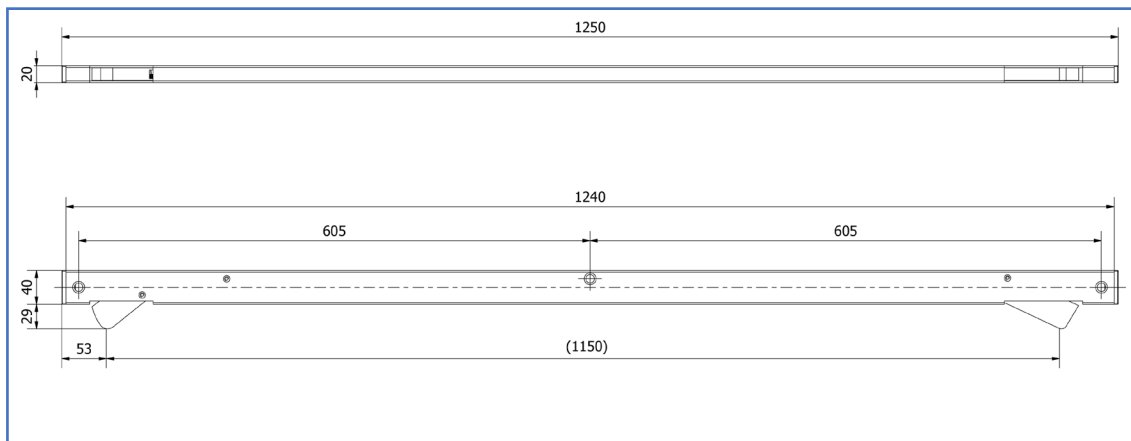
**Product models – 3D:**

- [STEP](#)
- [DWG](#)
- [PDF – 3D](#)

**OLDA product links:**

- [Door coordinator 30 DK](#)
- [Flush bolt accessories](#)
- [OLDA flush bolts](#)
- [OLDA fittings school](#)

### Door coordinator OLDA 30 DK-1150



#### Product documents:

- [Dimensions](#)
- [Installation](#)

#### Product models – 2D:

- [PDF](#)
- [DXF](#)
- [DWG](#)

#### Product models – 3D:

- [STEP](#)
- [DWG](#)
- [PDF – 3D](#)

#### OLDA product links:

- [Door coordinator 30 DK](#)
- [Flush bolt accessories](#)
- [OLDA flush bolts](#)
- [OLDA fittings school](#)