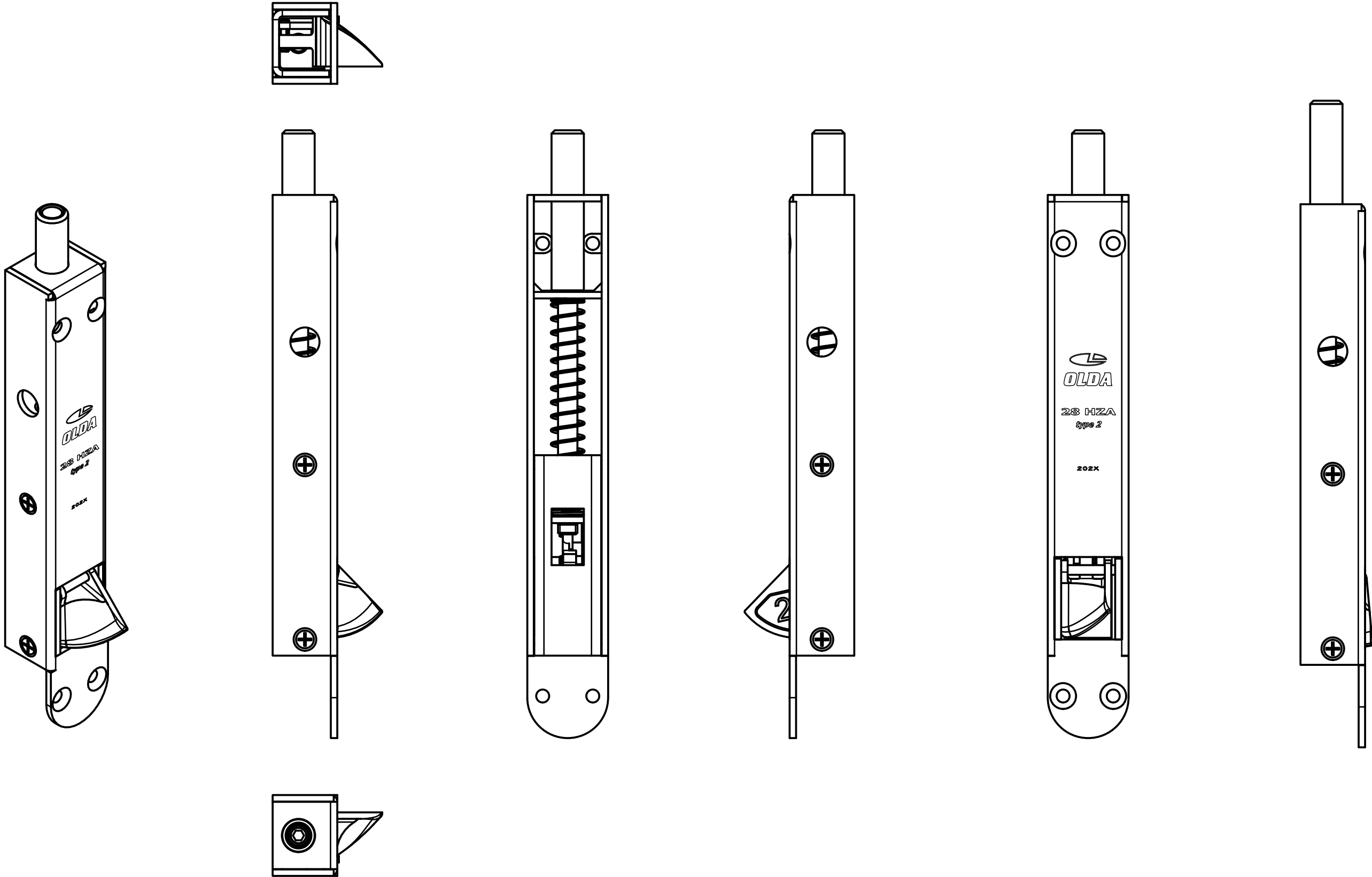


OLDA 28 HZA - type 2 - automatic flush bolt - extended bolt +20 mm

view - drawing



10-128-2004	C	2023-11-01
-------------	---	------------