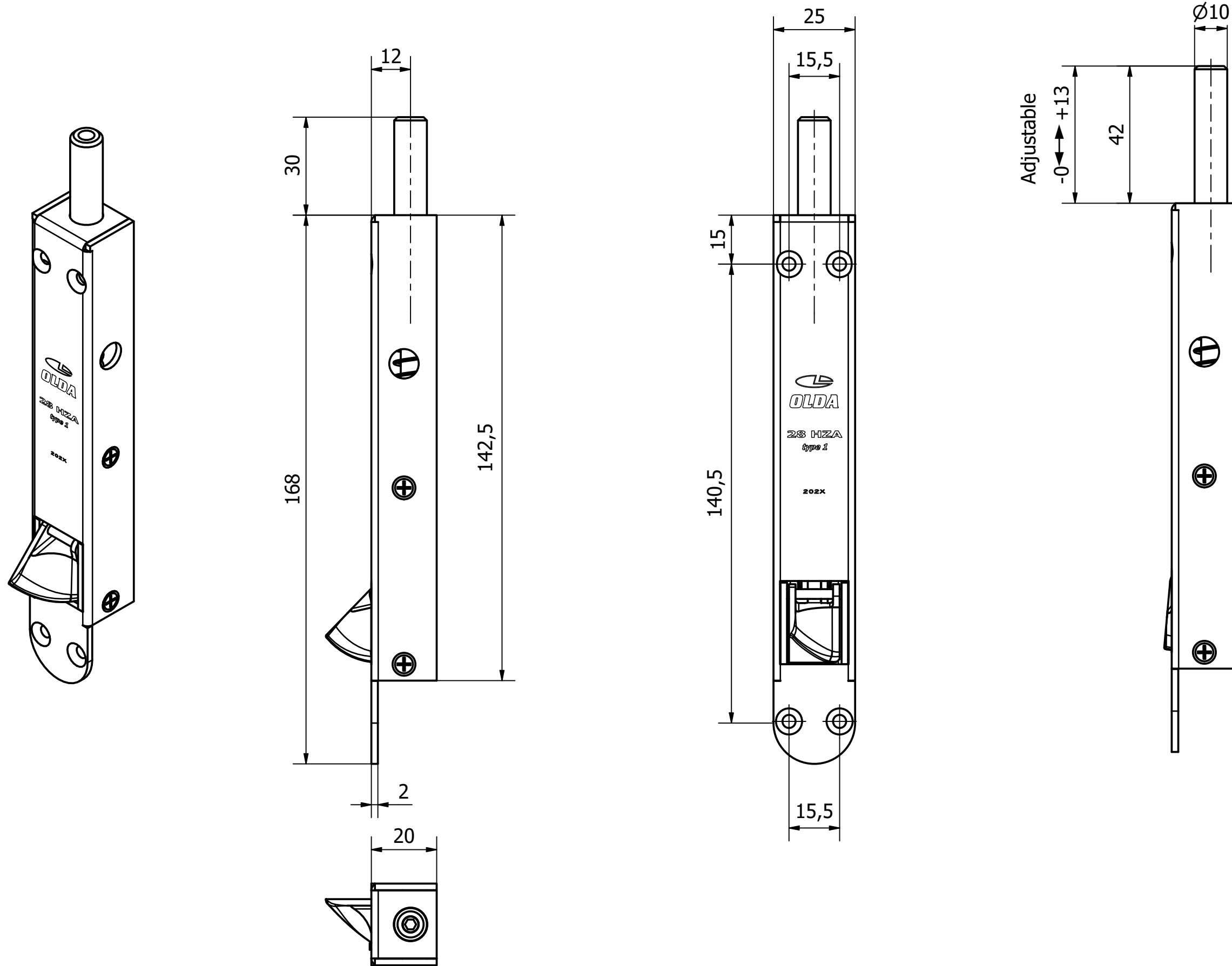


**OLDA 28 HZA - type 1 - automatic flush bolt - extended bolt +30 mm**

dimension - drawing



10-128-1002	C	2023-10-30
-------------	---	------------