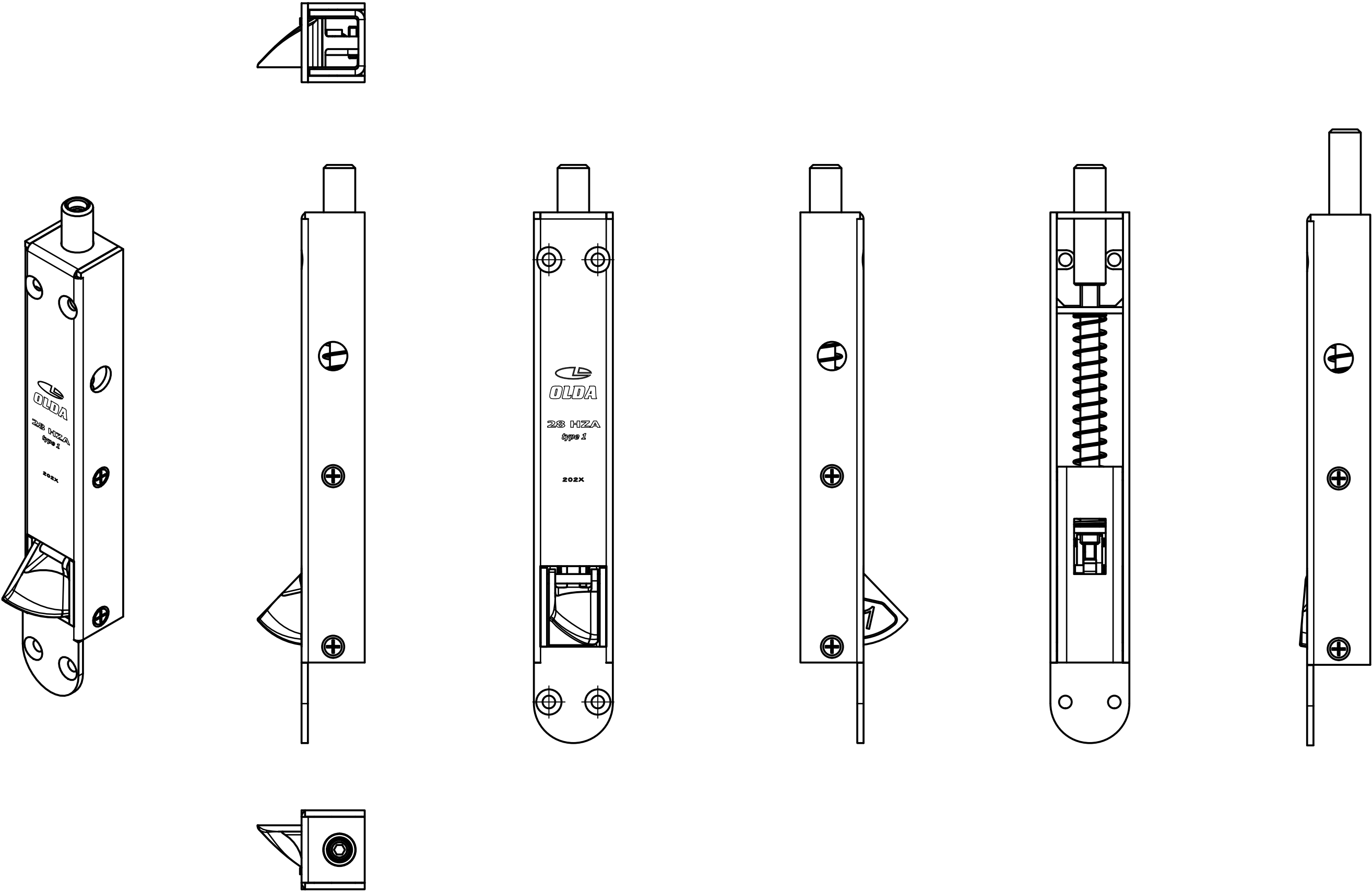


**OLDA 28 HZA - type 1 - automatic flush bolt - extended bolt +15 mm**

view - drawing



10-128-1001	C	2023-10-30
-------------	---	------------