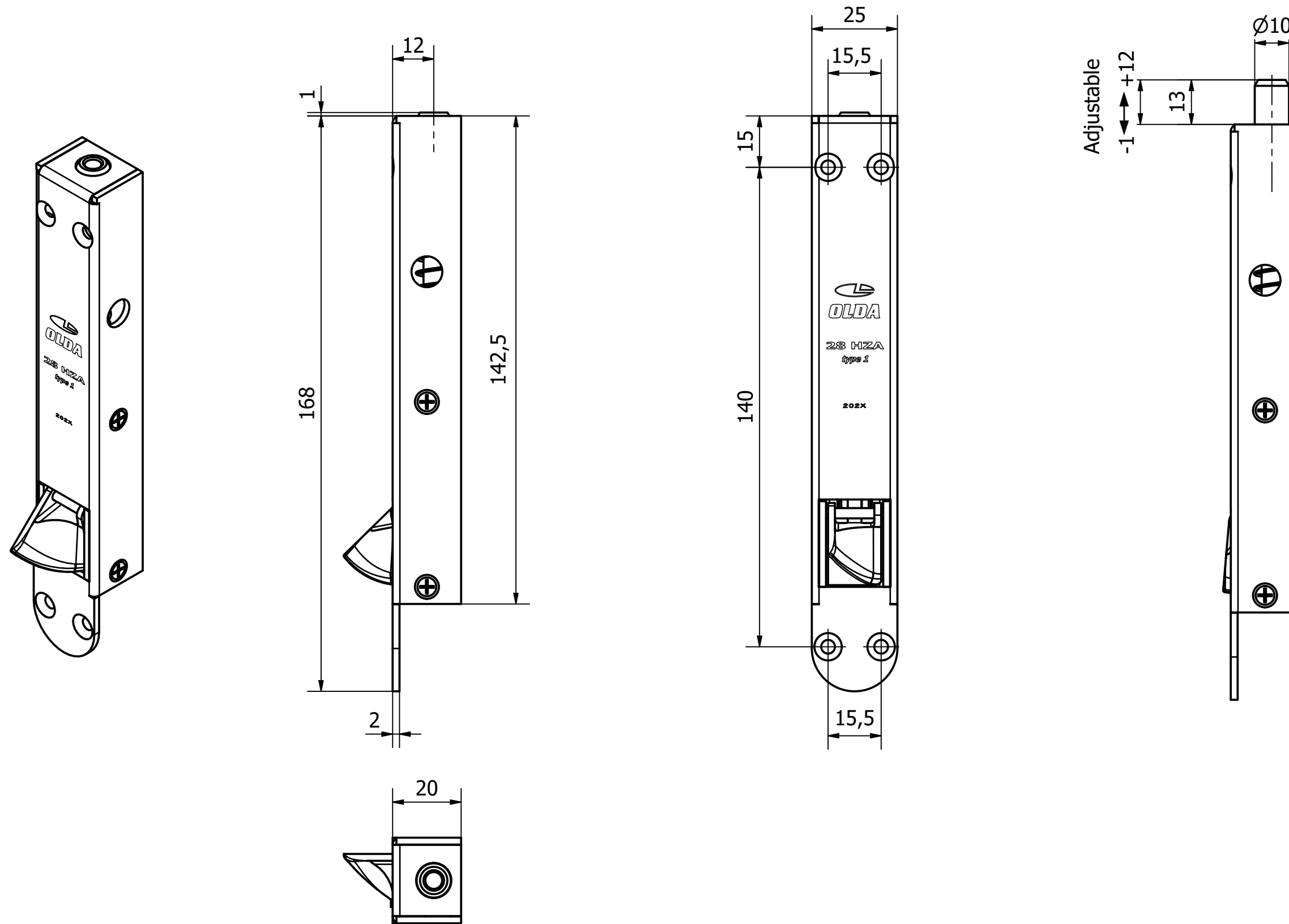


# OLDA 28 HZA - type 1 - automatic flush bolt

dimension - drawing



10-028-1000	C	2023-10-27
-------------	---	------------