

Door coordinator OLDA 25 DK



25 DK – right active door-leaf assembly (R)

Function:

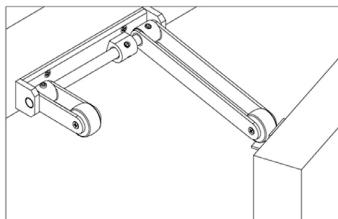
Coordinates double doors, so that the passive door leaf closes before the active. This is a requirement for automatic flush bolts, most locks and rebated door leaves.

- **active door leaf:** normally used for passage in a double door
- **passive door leaf:** bolted with a flush bolt.

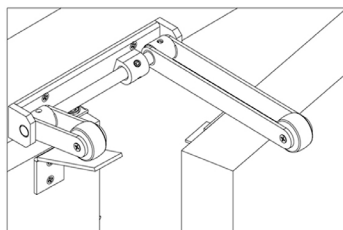
Features:

Door selector 25 DK ensures that the door leaves close in the correct order by:

1. the right active door leaf is prevented from closing by the coordinator's long arm



2. hence, the left passive door leaf closes first, which then lifts the short arm



3. thereby releasing the right active door leaf by lifting the long arm

Manufactured in powder coated (white and grey) steel. Other available by request.

Usage:

Fits double doors with the active door leaf to the right and to the left, by changing places of the long and short arm. Intended for inner doors.



Installation:

OLDA 25 DK is fitted on the top frame, centred above the door leaves. Fixed with four round headed 4.5 x 30 mm screws.

Specification:

- Fixing plate:
 - width: 172 mm
 - height: 30 mm
- Arms:
 - long: 167 mm
 - short: 70 mm
 - rotating axis: 18 mm
- Wheels (black rubber):
 - diameter: 30 mm
 - width: 15 mm
- Material
 - Powder coated steel:
 - white – RAL 9010
 - grey – RAL 9006
 - others – by request

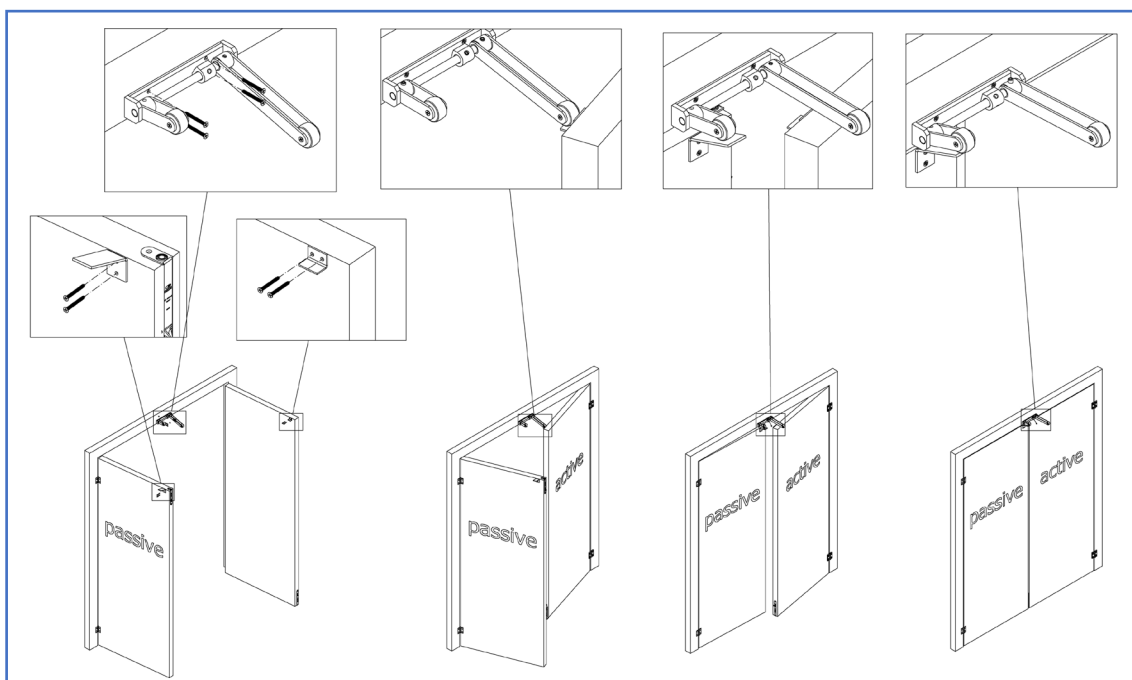
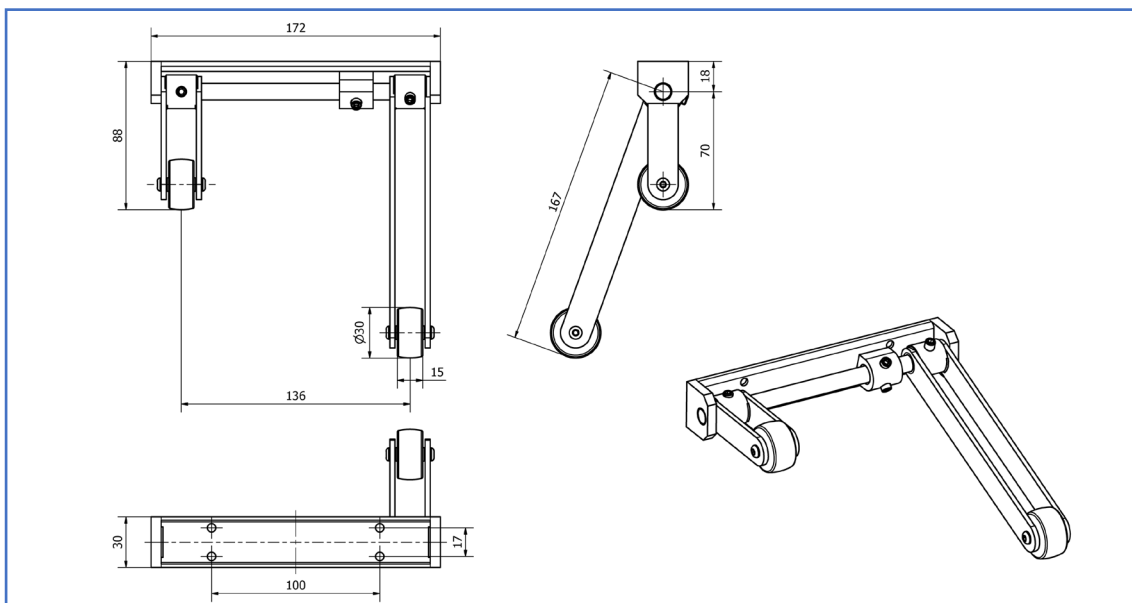
Service:

Function tests are recommended once or twice a year. Test and clean as needed.

Warranty:

All mechanical "OLDA" branded products have a 36-month factory warranty.

Door coordinator OLDA 25 DK – right active door-leaf assembly (R)



Product documents:

- [Dimensions](#)
- [Installation](#)
- [Adjusting](#)
- [Change direction](#)

Product models – 2D (R):

- [PDF](#)
- [DXF](#)
- [DWG](#)

Product models – 2D (L):

- [PDF](#)
- [DXF](#)
- [DWG](#)

Product models – 3D (R):

- [STEP](#)
- [DWG](#)
- [PDF – 3D](#)

Product models – 3D (L):

- [STEP](#)
- [DWG](#)
- [PDF – 3D](#)

OLDA product links:

- [Door coordinator 25 DK](#)
- [Flush bolt accessories](#)
- [OLDA flush bolts](#)
- [OLDA fittings school](#)