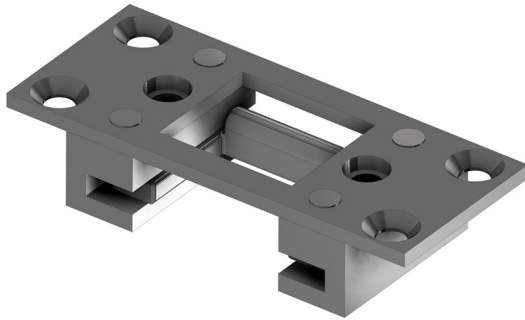


## Adjustable lock plate OLDA 19 HZ



### Function:

Recommended accessory for flush bolt OLDA 37 HZA.

### Features:

OLDA 19 HZ has a rectangular opening, width 20 mm which for example suits the rectangular bolt (width 15 mm) on 37 HZA.

The main feature of lock plate 19 HZ is the adjustability after installation, which is especially useful for larger or older doors, but it also contributes to the unique "hold-close" function on 37 HZA.

Manufactured in electrozinc plated steel.

### Usage:

Recommended to make installation easier, secure the function and increase the life span of bolts, especially in doors with high frequency of passage.

### Installation:

OLDA 19 HZ is screwed recessed in frame, sill or wooden floor, with or without cut-out for the forend, with dimensions 60 x 25 x 2 mm.

Fixed with four countersunk zinc plated screws dimension 3.5 x 16 mm.

The width of the rear case is 42 mm. Total height is 13 mm including forend.

### Specification:

- Opening:
  - width: 20 mm
  - depth: 17 mm
  - adjustable stop: 2 to 9 mm
- Product:
  - width: 60 mm
  - height: 13 mm
  - depth: 25 mm
  - thickness: 2 mm
- Material: steel
- Coating: electrozinc plating

### Related products:

- Strike plates; SP 10, 10-T & 20
- Lock plates; LP 10, 20 & 30
- Lock tubes; LT 8, 10, 12 & 14
- Guide tubes; GT 8, 10, 12 & 14

### Complementary products:

Adjustable lock plate OLDA 19 HZ is a recommended accessory for flush bolt OLDA 37 HZA in order to guarantee its unique "hold-close" function.

### Service:

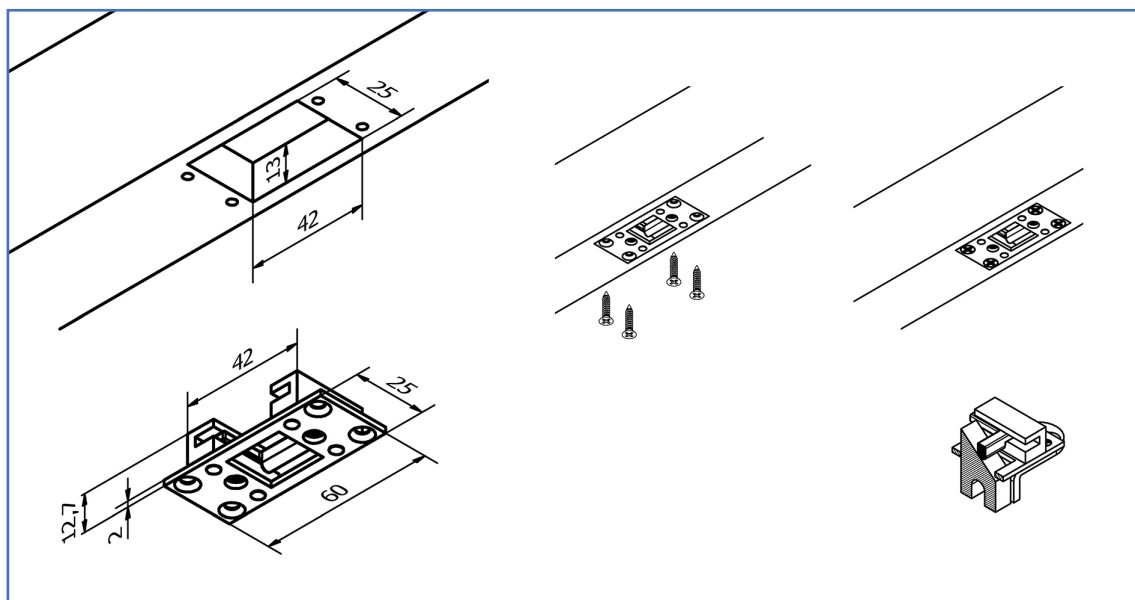
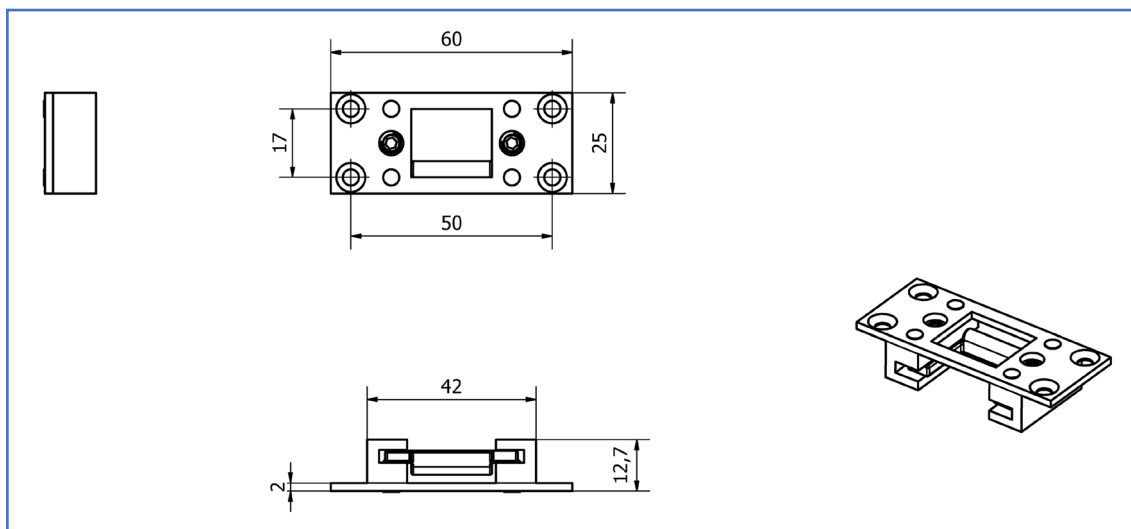
Function & system tests are recommended once or twice a year. Test and clean as needed.

In harsh environments or high frequent use, tests should be made more often.

### Warranty:

All mechanical "OLDA" branded products have a 36-month factory warranty.

### Adjustable lock plate OLDA 19 HZ



#### Product documents:

- [Dimensions](#)
- [Installation with forend cut-out](#)
- [Installation without forend cut-out](#)

#### Product views – 2D:

- [PDF](#)
- [DXF](#)
- [DWG](#)

#### Product models – 3D:

- [STEP](#)
- [DWG](#)
- [PDF – 3D](#)

#### OLDA product links:

- [Adjustable lock plate OLDA 19 HZ](#)
- [Automatic flush bolt OLDA 37 HZA](#)
- [Flush bolt accessories](#)
- [OLDA flush bolts](#)
- [OLDA fittings school](#)